



Compact Wine cabinets W32 - W38 - W45

GB Instructions for use
DE Bedienungsanleitung
FR Mode d'emploi
DK Brugsanvisning

NO Bruksanvisning
SE Brugsanvisning
FI Käyttöohjeet

Warning

As the appliance contains a flammable refrigerant, it is essential to ensure that the refrigerant pipes are not damaged.

The quantity and type of the refrigerant used in your appliance is indicated on the rating plate.

Standard EN378 specifies that the room in which you install your appliance must have a volume of 1m³ per 8 g of hydrocarbon refrigerant used in the appliances. This is to avoid the formation of flammable gas/air mixtures in the room where the appliance is located in the event of a leak in the refrigerant circuit.

WARNING:

Keep ventilation openings in the appliance's cabinet or in the built-in structure clear of obstruction.

WARNING:

Do not use other **mechanical devices** or other means to accelerate the defrosting process than those recommended by the manufacturer.

WARNING:

Do not damage the refrigerant system.

WARNING:

Do not use **electrical appliances** inside the refrigerated storage compartment, unless they are of a type recommended by the manufacturer.

WARNING:

Do not expose the appliance to rain.

WARNING:

This appliance may be used by children over the age of 8 years old and by persons with reduced physical, sensory or mental capabilities or by persons with a lack of experience or knowledge if they are supervised or are instructed by a person responsible for their safety how to use the appliance safely and have understood the associated hazards.

WARNING:

Children must not play with, on, or around the appliance.

WARNING:

Children must not clean the appliance or carry out general maintenance unless they are at least 8 years old and are being supervised.

WARNING:

Do not store explosives, such as aerosol cans with flammable propellants in the unit.

WARNING:

Danger risk of fire or explosion if flammable refrigerant are used. To be repaired only by trained personnel.

**WARNING:**

Cleaning and user maintenance shall not be made by children without supervision.

WARNING:

When positioning the appliance, ensure the power cord is not trapped or damaged.

WARNING:

Do not locate multiple portable socket-outlets or portable power supplies at the rear of the appliance.

- Always keep the keys in a separate place and out of reach of children.
- Before servicing or cleaning the appliance, unplug the

appliance from the mains or disconnect the electrical power supply.

- **Relevant for Australia:** Supply cord fitted with a plug complies with AS/NZS 3112.
- Frost formation on the interior evaporator wall and upper parts is a natural phenomenon. Therefore, the appliance should be defrosted during normal cleaning or maintenance.
- Please note that changes to the appliance construction will cancel all warranty and product liability.
- If the supply cord is damaged, it must be replaced by the manufacturer, its service agent, or similarly qualified persons in order to avoid a hazard
- Do not use extension cords.
- This appliance is intended to be used exclusively for the storage of wine

CLASS 1 LED PRODUCT



Contents

Warning	2
Technical data.....	4
Get to know your wine cooler	5
Before use	6
Savings in energy consumption in the use	6
Installation and start-up	7
LED light.....	7
Operation and function W32 and W45	9
Operation and function W38.....	10
Change of hinge side - W32	11
Change of hinge side - W45.....	12
Defrosting, cleaning, and maintenance	13
Fault finding.....	14
Warranty, spare parts and service	15
Disposal.....	16

Technical data

Wiring and connections in power supply systems must be all applicable (local and national) electrical codes. Consult these codes lengths and sizes prior to cabinet installation.

This device complies with relevant EU directives including Low Voltage Directive 2014/35/EU and Electromagnetic Compatibility Directive 2014/30/EU

The socket should be freely accessible.

Connect the appliance only to 220/240 V / 50Hz alternating current via a correctly installed earthed socket.

The socket must be fused with a 10-13 A fuse.

If the appliance is to be operated in a non-European country, check on the rating plate whether the indicated voltage and current type correspond to the values of your mains supply.

Information regarding voltage, current or power are given on the rating plate

The power cord may be replaced by a technician only.

The rating plate provides various technical information as well as type and serial number.

Get to know your wine cooler



fig.1



Before use

Before operating your new appliance, please read the following instructions carefully as they contain important information on safety, installation, operation and maintenance. Keep the instructions for future reference. On receipt, check to ensure that the appliance has not been damaged during transport. Transport damage should be reported to the local distributor before the wine cooler is put into use.

Remove the packaging. Clean the inside of the cabinet using warm water with a mild detergent. Rinse with clean water and dry thoroughly (see cleaning instructions). Use a soft cloth. If the appliance has been laid down during transport, or if it has been stored in cold surroundings (colder than +5°C), it must stabilise in an upright position for at least one hour before being switched on.

Savings in energy consumption in the use

The energy consumption reduces ..

- 1)..the lower the ambient temperature is.
- 2)..the warmer thermostat set point is.
- 3)..the lower the number and the shorter the length of the door openings is.

Installation and start-up

Placement

For safety and operational reasons, the appliance must not be installed outdoors.

The appliance should be placed on a level surface in a dry, well ventilated room (max. 75% relative air humidity). Never place the appliance close to sources of heat such as cookers or radiators, and avoid placing it in direct sunlight.

Room temperature

The climate class is stated on the rating plate (see page 15).

Note: The appliance operates best at room temperatures between 10° to 32° C

Installation

The surface on which the appliance is to be placed must be level. Do not use a frame or similar. It is important that the appliance be absolutely level. It can be levelled by screwing the adjustable feet at the front of the appliance up or down (fig. 2). Use a spirit level to check that the appliance is absolutely level sideways.

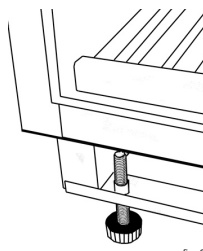


fig. 2

LED light

In order to reduce energy consumption, this wine cabinet will automatically switch off the LED lights after 10 minutes.

If you want the LED light to remain on continuously, this is possible. Please press and hold the “LIGHT” button for 5 seconds, the display will show “LP”. After 4 seconds, the display will revert to normal and the light will remain on until manually switched off.

If you want to revert and conserve energy (recommended), please press and hold the “LIGHT” button for 5 seconds, the display will show “LF”. After 4 seconds, the display will revert to normal, and the light will automatically switch off after 10 minutes.

Build-in

W32 is only for free-standing, and sufficient free air around the appliance must be ensured. (fig. 4)

The appliances **W45 and W38** can be installed as built-in units in kitchen elements or be placed free-standing (fig. 3).

At built-in condition ensure sufficient airflow through the kitchen base in front of the appliance. The total cross section of the opening must be as described in fig. 3, and individual air duct clearance must be at least 5 mm.

Along with your new cabinet is a replaceable kick plate which can be fixed with the two screws. These two screws are located in the accessories bag, see figure 2_1



fig. 2_1

If needed there is a kit in the accessories bag, see figure 2_1, for fixing the cabinet up against a table top.

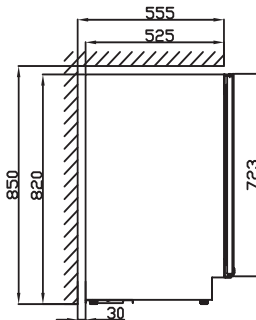
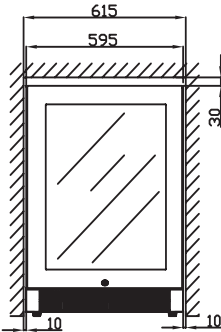


fig. 3

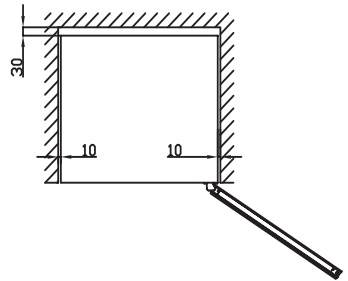


fig. 4

Operation and function W32 and W45

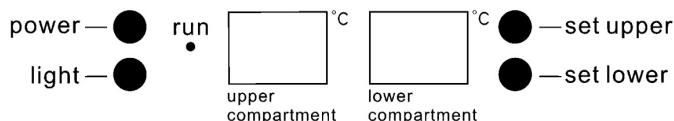


fig. 5

Electronic control

The electronic control ensures that the set temperatures are maintained in the cabinet compartments. This is accomplished by complex control of the refrigerating system, the heating element, and the fan. Following any power failure, the temperature setting is reverted to factory defaults:

Upper compartment: 6°C

Lower compartment: 12°C

The electronic controls have the following functions:

- Temperature setting
- Temperature display
- Automatic defrosting
- High and low temperature alarm
- Light on/off
- Cabinet on/off (push and hold for 3 secs)

Temperature display

The display shows the actual temperature in the compartments. The temperature display has a built-in filter that simulates the actual temperature in the bottles. The displayed temperature is therefore not affected by transient fluctuations in air temperature.

Temperature setting

The temperature is set by using the two buttons on the control panel. By pushing a temperature button, the display changes from actual temperature to set value. By pushing the button repeatedly, the set value scrolls through the available temperature span.

The temperature in the upper compartment is adjustable from 5-10 °C. The temperature in the lower compartment is adjustable from 10-18 °C.

Temperature alarm

If the temperature has deviated 3°C from the chosen set value for at least 1 hour, the display flashes and Lo / actual respectively Hi / actual temperature are alternately shown.

It is recommended that wine be served at a temperature which is a couple of degrees lower than the desired drinking temperature as the wine will be warmed slightly when it is poured into the glass.

Operation and function W38

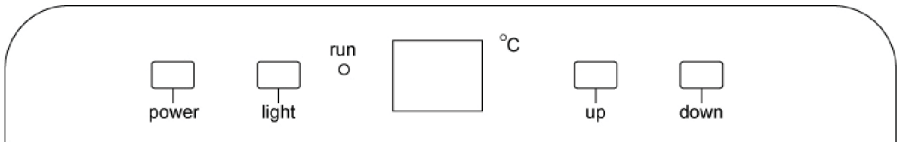


fig. 6

Electronic control

The electronic control ensures that the set temperatures are maintained in the cabinet compartments. This is accomplished by complex control of the refrigerating system, the heating element, and the fan. Following any power failure, the temperature setting is reverted to factory defaults:

Left compartment: 7°C

Right compartment: 12°C

The electronic controls have the following functions:

- Temperature setting
- Temperature display
- Automatic defrosting
- High and low temperature alarm
- Light on/off
- Cabinet on/off (push and hold for 3 secs)

Temperature display

The display shows the actual temperature in the compartments. The temperature display has a built-in filter that simulates the actual temperature in the bottles. The displayed temperature is therefore not affected by transient fluctuations in air temperature.

Temperature setting

The temperature is set using the two buttons on the control panel. When pushing a temperature button, the display changes from actual temperature to set value. After this, it is possible to change the set value. Up = temperature up
Down = temperature down

The temperature in both compartments is adjustable from 5-18 degree Celcius.

The new set value is automatically stored after 5 seconds of inactivity and the display switches back and shows the actual temperature again.

Temperature alarm

If the temperature has deviated 3°C from the chosen set value for at least 1 hour, the display flashes and Lo / actual respectively Hi / actual temperature are alternately shown.

It is recommended that wine be served at a temperature which is a couple of degrees lower than the desired drinking temperature as the wine will be warmed slightly when it is poured into the glass.

Change of hinge side - W32

The door can be changed from right-hinged to left-hinged and vice versa as follows:

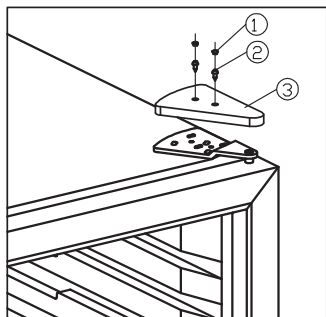


fig. 7.1

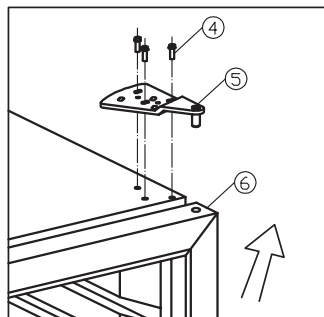


fig. 7.2

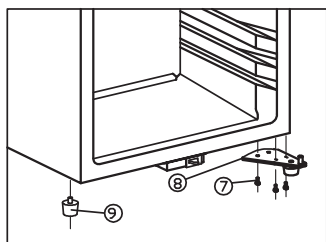


fig. 7.3

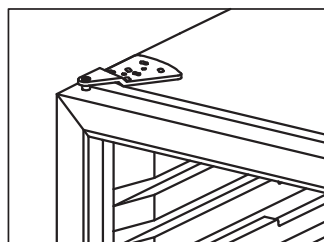


fig. 7.4

1. Rubber cover 2. Screw 3. Decorative cover 4 & 7 .Screw
5. Top hinge module 6.Door 8.Lower hinge module-Left 9.Cabinet's leg long

- Pull out the screw covers and unscrew the decorative cover. See fig.7.1
- While holding the door firmly, loosen and remove the top hinge, lift up and remove the door. See fig.7.2
- Unscrew the lower hinge(8)
- Remove the long cabinet leg (9) on the left side, and shift it to the right end side. See fig.7.3
- Install the lower hinge and tie it with the bolts.
- Install the door on the axe of lower hinge (8) the same way it was removed, screw back the top hinge on the left.
- Fix back the decorative cover and rubber cover.

Change of hinge side - W45

The door can be changed from right-hinged to left-hinged and vice versa as follows:

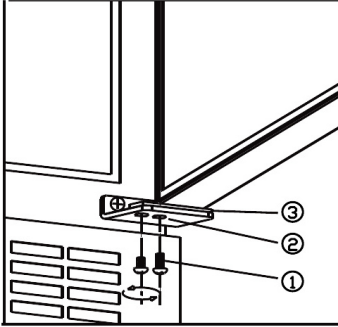


fig. 8.1

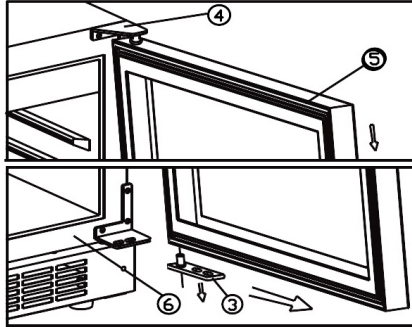


fig. 8.2

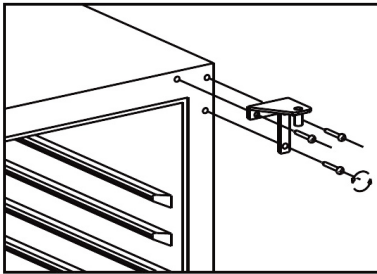


fig. 8.3

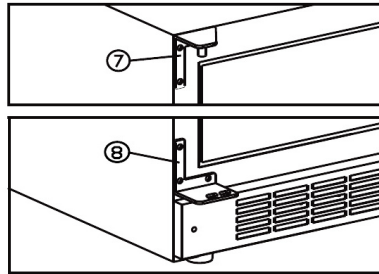


fig. 8.4

1) Screw 2) Bottom hinge, right 3) Door pin 4) Top hinge, right 5) Door
6) Cabinet 7) Top hinge, left 8) Bottom hinge, left

- Ensure that the cabinet is not connected to the mains and place the cabinet on the back
- Dismount the screws (1) **SUPPORT THE DOOR!** See fig. 8.1
- Dismount the door by pulling it forwards and free from the top hinge. See fig. 8.2
- Dismount the right top hinge and save it for later use. See fig. 8.3
- Mount the left top and bottom hinge enclosed (7 + 8). See fig. 8.4
- Remount the door pin previously dismounted (3) in the bottom hinge
- Mount the door in the top hinge (7) towards the door pin (3), tighten the door pin (1)
- Lift up the cabinet again and wait 1 hour before connecting it to the mains to avoid oil in the cooling system

Defrosting, cleaning, and maintenance

Automatic defrosting

The wine cooler is defrosted automatically. Defrost water runs through a pipe and is collected in a tray above the compressor where the heat generated by the compressor causes it to evaporate.

Cleaning

Before cleaning the appliance, unplug it from the main supply. The cabinet is best cleaned using warm water (max. 65°C) with a little mild detergent. Never use cleaning agents that scour. Use a soft cloth. Rinse with clean water and dry thoroughly. Never use sharp or pointed implements. Avoid unnecessary cleaning of the wooden shelves, as these are made of untreated natural material. Cleaning agents may discolour the shelves.

The sealing strip around the door must be cleaned regularly to prevent discolouration and prolong service life. Use clean water. After cleaning the sealing strip, check that it continues to provide a tight seal.

Dust collecting on the condenser underneath the cabinet, on the compressor and in the compressor compartment is best removed using a vacuum cleaner.

Replacing the lighting

Light-emitting diodes designed to last the entire service life of the appliance are used. If it, however, becomes necessary to replace the light source, please call for service.

Removing the shelves

Push the shelf all the way back and tip it. It is now possible to remove the shelf.

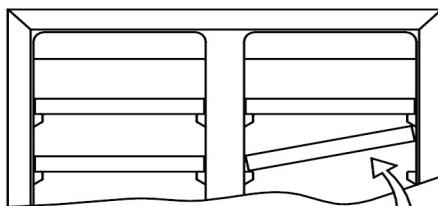


fig. 9



Fault finding

Fault	Possible cause	Remedy
The appliance is not running	The appliance is switched off. Power failure; the fuse is blown; the appliance is not plugged in correctly.	Press the on/off switch. Check that power is connected. Reset the fuse.
Water collects in the bottom of the cabinet.	The defrost water pipe is blocked.	Clean the defrost water channel and the drain hole on the rear wall of the cabinet.
Vibration or bothersome noise.	The appliance is not level. The appliance is resting against other kitchen elements. Containers or bottles inside the cabinet are rattling against one another.	Level the appliance using a spirit level. Move the appliance away from the kitchen elements or appliances it is in contact with. Move containers and/or bottles apart.
Compressor runs continuously.	High room temperature.	Ensure adequate ventilation.

Warranty, spare parts and service

Warranty disclaimer

Faults and damage caused directly or indirectly by incorrect operation, misuse, insufficient maintenance, incorrect building, installation or mains connection. Fire, accident, lightning, voltage variation or other electrical interference, including defective fuses or faults in mains installations are not covered by the warranty.

Repairs performed by others than approved service centres and any other faults and damage that the manufacturer can substantiate are caused by reasons other than manufacturing or material faults are not covered by the warranty.

Please note that changes to the construction of the appliance or changes to the component equipment of the appliance will invalidate warranty and product liability, and the appliance cannot be used lawfully. The approval stated on rating plate will also be invalidated.

Transport damage discovered by the buyer is primarily a matter to be settled between the buyer and the distributor, i.e. the distributor must ensure that such complaints are resolved to the buyer's satisfaction.

Before calling for technical assistance, please check whether you are able to rectify the fault yourself. (see the fault finding list) If your request for assistance is unwarranted, e.g. if the appliance has failed as a result of a blown fuse or incorrect operation, you will be charged the costs incurred by your call for technical assistance.

Spare parts

When ordering spare parts, please state the type, serial and production numbers of your appliance. This information is given on the rating plate. The rating plate contains various technical information, including type and serial numbers.

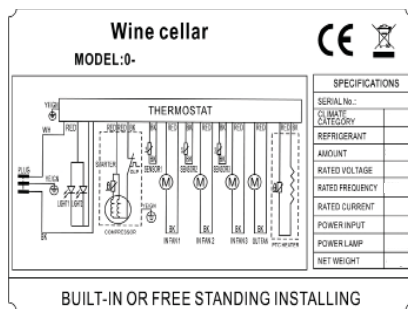


fig. 10

Note: Always use approved service centres when your appliance is to be repaired or replaced!

Disposal

Information for Users on Collection and Disposal of Old Equipment and used Batteries



These symbols on the products, packaging, and/or accompanying documents mean that used electrical and electronic products and batteries should not be mixed with general household waste. For proper treatment, recovery and recycling of old products and used batteries, please take them to applicable collection points, in accordance with your national legislation and the Directives 2012/19/EU and 2006/66/EC.

By disposing of these products and batteries correctly, you will help to save valuable resources and prevent any potential negative effects on human health and the environment which could otherwise arise from inappropriate waste handling.

For more information about collection and recycling of old products and batteries, please contact your local municipality, your waste disposal service or the point of sale where you purchased the items.

Penalties may be applicable for incorrect disposal of this waste, in accordance with national legislation.



For business users in the European Union.

If you wish to discard electrical and electronic equipment, please contact your dealer or supplier for further information.

Information on Disposal in other Countries outside the European Union

These symbols are only valid in the European Union. If you wish to discard this product, please contact your local authorities or dealer and ask for the correct method of disposal.

Note for the battery symbol:



This symbol might be used in combination with a chemical symbol. In this case it complies with the requirement set by the Directive for the chemical involved.

Warnung

Falls dieses Gerät Kohlenwasserstoff-Kältemittel enthält, sehen Sie bitte die untenstehenden Richtlinien.

Itemittel im Gerät ist auf dem Typenschild angegeben.

Der Standard EN378 spezifiziert, dass der Raum, in dem das Gerät installiert wird, ein Volumen von 1m³ pro 8 g Kohlenwasserstoff-Kältemittel, das im Gerät verwendet ist, haben soll. Dies ist zu beachten, um die Bildung von leicht entzündlichen Gasgemischen in dem Raum, wo das Gerät installiert ist, zu vermeiden, falls eine Undichtigkeit des Kuhlkreislaufs entsteht.

WARNUNG:

Decken Sie die Lüftungsöffnungen am Geräte oder am Einbaumodul nicht ab.

WARNUNG:

Verwenden Sie keine anderen mechanischen Geräte oder Hilfsmittel um den Entfrostsprozess zu beschleunigen, als die Geräte, die vom Hersteller empfohlen sind.

WARNUNG:

Beschädigen Sie nicht den Kuhlkreislauf.

WARNUNG:

Verwenden Sie keine elektrischen Geräte im Gerät, es sei denn, dass die Geräte vom Hersteller empfohlen sind.

WARNUNG:

Das Gerät nicht dem Regen aussetzen.

WARNUNG:

Dieses Gerät kann von Kindern ab 8 Jahren und Personen mit reduzierten physischen, sensorischen oder mentalen Fähigkeiten oder Mangel an Erfahrung oder Wissen benutzt werden, wenn sie von einer Person, die für ihre Sicherheit verantwortlich ist, beaufsichtigt oder von ihr bezüglich des sicheren Gebrauchs des Gerätes unterwiesen wurden und sie die daraus resultierenden Gefahren verstanden haben.

WARNUNG:

Kinder dürfen nicht mit dem Gerät spielen.

WARNUNG:

Reinigung und Benutzer-Wartung dürfen nicht durch Kinder

durchgeführt werden, es sei denn, sie sind 8 Jahre und älter und werden beaufsichtigt.

WARNUNG:

Der Schlüssel ist an einer separaten Stelle und unzugänglich für Kinder aufzubewahren.

WARNUNG:

Keine Produkte mit brennbaren Treibgasen (z. B. Spraydosen) und keine explosiven Stoffe lagern. **Explosionsgefahr!**



WARNUNG:

Gefahr von Feuer oder Explosion wenn brennbares Kältemittel ist verwendet. Darf nur von Fachpersonal repariert werden.

WARNUNG:

Achten Sie beim Aufstellen des Geräts darauf, dass das Netzkabel nicht eingeklemmt oder beschädigt ist.

WARNUNG:

Platzieren Sie keine Verteilersteckdosen, Verlängerungskabel oder andere Netzteile an der Rückseite des Gerätes.

- Vor Reparatur oder Reinigung des Gerätes den Netzstecker von der Steckdose ziehen.
- Wenn die Anschlussleitung beschädigt ist, muss sie nur vom Hersteller, dem Serviceagent des Herstellers oder einem anderen Fachmann ausgewechselt werden, um Gefahr zu vermeiden.
- Bildung von Reif auf der inneren Verdampferplatte und den obersten Teilen ist normal. In Verbindung mit Reinigung oder Wartung muss das Gerät deshalb entfrosten werden.
- Verwenden Sie keine Verlängerungskabel.
- Beachten Sie bitte, dass Änderungen der Konstruktion dieses Gerätes zur Folge haben, dass die Garantie und Produkthaftung erlöschen.
- Dieses Gerät ist ausschließlich zur Lagerung von Wein bestimmt

CLASS 1 LED PRODUCT

Inhalt

- Warnung2
- Technische Daten4
- Lernen Sie Ihren Weinschrank kennen5
- Vor dem Gebrauch6
- Energieeinsparung während des
Gebrauchs6
- Inbetriebnahme und Installation7
- LED licht7
- Bedienung und Funktion W32 und W459
- Bedienung und Funktion W3810
- Wendbare Tür W3211
- Wendbare Tür W4512
- Abtauen, Reinigung und Wartung13
- Fehlersuche14
- Reklamation, Ersatzteile und Service15
- Entsorgung16

Technische Daten

Verkabelung und Anschlüsse in Stromversorgungssystemen müssen allen (örtlichen und nationalen) Elektrovorschriften entsprechen. Machen Sie sich vor dem Einbau mit den Angaben in diesen Vorschriften vertraut

Dieses Gerät entspricht den einschlägigen EU-Richtlinien einschließlich:
Niederspannungsrichtlinie 2014/35/EU.
Elektromagnetische Kompatibilitätsrichtlinie 2014/30/EU.

Die Steckdose sollte frei zugänglich sein. Das Gerät an 220/240 V / 50Hz Wechselstrom über eine vorschriftsmäßig installierte Steckdose anschließen.

Die Steckdose muss mit einer 10- 13A Sicherung abgesichert sein.

Bei Geräten, die in nicht-europäischen Ländern betrieben werden, ist auf dem Typenschild zu überprüfen, ob die angegebene Spannung und Stromart mit den Werten Ihres Stromnetzes übereinstimmt.

Informationen über Spannung und Leistungsaufnahme / Strom sind auf dem Typenschild.

Das Typenschild, das sich im Gerät befindet, enthält verschiedene technische Angaben sowie Typen- und Seriennummer.

Ein eventuell notwendiger Austausch der Netzanschlussleitung darf nur durch einen Fachmann erfolgen

Lernen Sie Ihren Weinschrank kennen

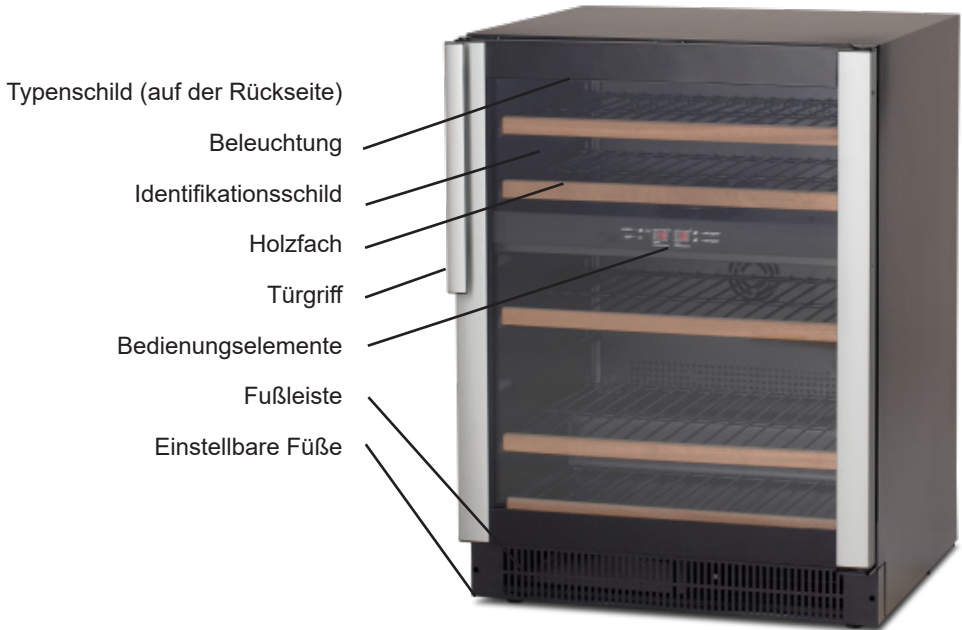


Abb.1

Vor dem Gebrauch

Vor dem Gebrauch Ihres neuen Geräts sollten Sie diese Bedienungsanleitung gründlich lesen. Sie enthält wichtige Informationen zu Sicherheit, Installation, Betrieb und Wartung. Bewahren Sie die Bedienungsanleitung auf. Sie könnten sie zu einem späteren Zeitpunkt eventuell benötigen.

Kontrollieren Sie das Gerät sofort bei Lieferung auf eventuelle Beschädigungen. Transportschäden sind dem Händler zu melden, bevor das Gerät in Gebrauch genommen wird. Verpackung entfernen. Das Schrankinnere mit lauwarmem Wasser und etwas mildem Spülmittel reinigen. Mit klarem Wasser nachwischen und gründlich trocknen (siehe "Reinigung"). Verwenden Sie ein weiches Tuch.

Falls das Gerät liegend transportiert wurde oder einer Temperatur von weniger als +5 °C ausgesetzt war, muss es vor dem Einschalten mindestens eine Stunde lang bei höherer Außentemperatur aufrecht stehen.

Energieeinsparung während des Gebrauchs

Der Energieverbrauch ist geringer...

- 1) ..je niedriger die Umgebungstemperatur ist
- 2) ..je wärmer der Thermostatsollwert eingestellt ist
- 3) ..je weniger man die Tür öffnet und umso kürzer die Türöffnungszeit ist.

Inbetriebnahme und Installation

Aufstellort

Aus Sicherheits- und betriebstechnischen Gründen darf das Gerät nicht im Freien aufgestellt werden.

Stellen Sie den Schrank auf einen ebenen Untergrund in einem trockenen, gut belüfteten Raum (max. 75 % relative Luftfeuchtigkeit). Stellen Sie den Schrank nicht in unmittelbarer Nähe von Wärmequellen wie Herden oder Heizkörpern auf, und vermeiden Sie direkte Sonneneinstrahlung oder Wärme von anderen Wärmequellen.

LED licht

Um den Energieverbrauch zu reduzieren schaltet dieser Weinschrank die LED-Leuchten automatisch nach 10 Minute aus. Es ist jedoch auch möglich das LED-Licht kontinuierlich einzuschalten.

Bitte drücken Sie hierzu die „LIGHT“ Taste für 5 Sekunden. Es erscheint die Anzeige „LP“. Nach 4 Sekunden zeigt das Display wieder den Normalzustand an.

Das Licht bleibt an bis Sie es wieder manuell ausschalten.

Wollen Sie das Licht wieder ausschalten (empfohlener Energiesparmodus) drücken Sie die „Light-Taste für 5 Sekunden. Auf dem Display erscheint „LF“.

Nach 4 Sekunden zeigt das Display den Normalzustand an.

Das Licht schaltet sich wieder automatisch nach 10 Minuten ab.

Raumtemperatur

Die Klimaklasse finden Sie auf dem Typenschild (siehe Sie Seite 15).

Beachte: Das Gerät arbeitet am besten bei Raumtemperaturen von 10 ° bis 32 ° C

Installation

Die Unterlage zum Aufstellen des Schrankes muss eben sein. Verwenden Sie keinen Rahmen o.ä. Es ist wichtig, dass das Gerät ganz waagrecht steht. Der Schrank kann durch Drehen der einstellbaren FüÙe vorne ausgerichtet werden (siehe Abb. 2).

Prüfen Sie mit einer Wasserwaage nach, ob der Schrank waagrecht steht.

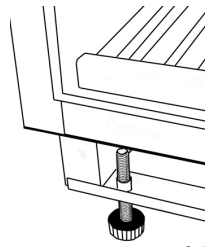


Abb. 2

Einbau

Der Schrank **W32** kann nur frei stehen. Erforderliche Belüftung über und unter sowie seitlich vom Schrank ist sicherzustellen (Abb. 4).

Die Schränke **W45 und W38** können in ein Küchenelement eingebaut werden oder frei stehen (Abb. 3). Beim Einbau ist genügende Luftströmung durch den Küchensockel vor dem Gerät sicherzustellen. Das totale Areal der Luftöffnungen ist wie in Abb. 3 sicherzustellen. Die einzelne Luftöffnung muss mindestens 5 mm sein.

Das mitgelieferte Gitter kann mit den mitgelieferten Schrauben (lose im Aussenbeutel) als Sockelleiste montiert werden.

Die beigelegte Fußleiste soll nicht montiert werden, wenn das Gerät hinter dem Küchensockel eingebaut werden soll.

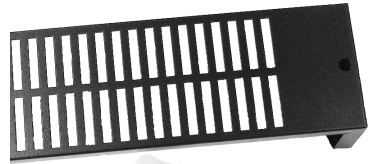


Abb. 2_1

Wenn gewünscht kann das Gerät mit dem Inhalt des Beutels (Abb.. 2_1) an der Arbeitsplatte befestigt werden.

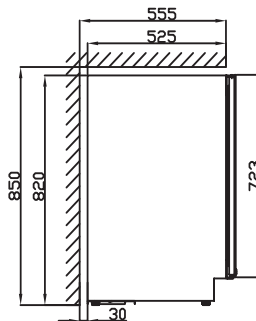
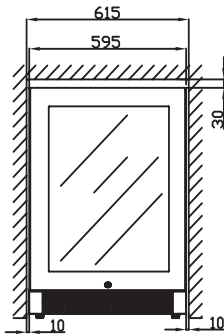


Abb. 3

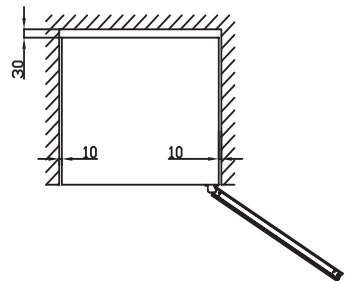


Abb. 4

Bedienung und Funktion W32 und W45

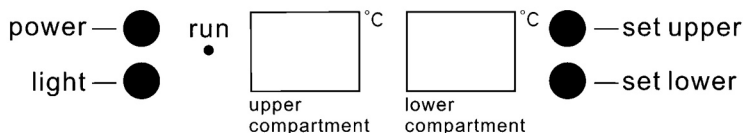


Abb. 5

Elektronische Steuerung

Die elektronische Steuerung sorgt dafür, dass die eingestellte Temperatur in den Fächern eingehalten wird. Dies wird durch eine ausgeklügelte Steuerung von Kälteanlage, Heizelement und Lüfter erreicht. Bei einem eventuellen Netzausfall wird die eingestellte Temperatur auf Werkseinstellung zurückgesetzt:

Obere Abteilung: 6°C

Untere Abteilung: 12°C

Die elektronische Steuerung hat folgende Funktionen:

- Temperatureinstellung
- Temperaturanzeige
- Automatisches Abtauen
- Alarm bei hoher und niedriger Temperatur
- Licht Ein-/Ausschalter
- Schrank Ein-/Ausschalter (Die Taste 3 Sekunden betätigen)

Temperatur-Anzeige

Am Display wird die aktuelle Temperatur in den Fächern angezeigt. Die Temperaturanzeige ist mit einem eingebauten Filter ausgestattet, das die aktuelle Flaschentemperatur simuliert, weshalb die Anzeige nicht auf kurzzeitige Änderungen der Lufttemperatur reagiert.

Temperatureinstellung

Die Schranktemperaturen werden mit den beiden Tasten auf der elektronischen Steuerung eingestellt. Durch Betätigen der Temperaturtaste, wechselt das Display zwischen den aktuellen Istwert und den Sollwert. Durch wiederholte Betätigung der Taste wird durch die Sollwerten innerhalb des verfügbaren Temperaturbereichs gerollt.

Die Temperatur der oberen Abteilung kann zwischen 5 und 10 Grad Celcius eingestellt werden.

Die Temperatur der unteren Abteilung kann zwischen 10 und 18 Grad Celcius eingestellt werden.

Temperaturalarm

Weicht die Temperatur 3°C vom gewählten Sollwert für mindestens eine Stunde ab, wird Lo/aktuelle Temperatur beziehungsweise Hi/aktuelle Temperatur abwechselnd und blinkend angezeigt.

Es empfiehlt sich, die Weine ein paar Grade kälter als die gewünschte Trinktemperatur zu servieren, da sich der Wein beim Einschenken ins Glas etwas erwärmt.

Bedienung und Funktion W38

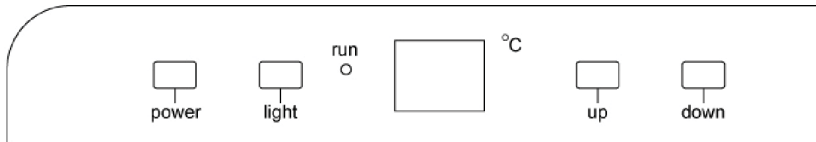


Abb. 6

Elektronische Steuerung

Die elektronische Steuerung sorgt dafür, dass die eingestellte Temperatur in den Fächern eingehalten wird. Dies wird durch eine ausgeklügelte Steuerung von Kälteanlage, Heizelement und Lüfter erreicht. Bei einem eventuellen Netzausfall wird die eingestellte Temperatur auf Werkseinstellung zurückgesetzt:

Linke Abteilung: 7°C

Rechte Abteilung: 12°C

Die elektronische Steuerung hat folgende Funktionen:

- Temperatureinstellung
- Temperaturanzeige
- Automatisches Abtauen
- Alarm bei hoher und niedriger Temperatur
- Licht Ein-/Ausschalter
- Schrank Ein-/Ausschalter (Die Taste 3 Sekunden betätigen)

Temperatur-Anzeige

Am Display wird die aktuelle Temperatur in den Fächern angezeigt. Die Temperaturanzeige ist mit einem eingebauten Filter ausgestattet, das die aktuelle Flaschentemperatur simuliert, weshalb die Anzeige nicht auf kurzzeitige Änderungen der Lufttemperatur reagiert.

Temperatureinstellung

Die Schranktemperaturen werden mit den beiden Tasten auf der elektronischen Steuerung eingestellt. Durch Betätigen der Temperaturtaste, wechselt das Display zwischen den aktuellen Istwert und den Sollwert. Danach kann die eingestellte Temperatur geändert werden.

UP = wärmer

DOWN = kälter

Die Temperatur der beiden Abteilungen kann zwischen 5 und 18 Grad Celcius eingestellt werden. Nach 5 Sekunden Inaktivität wird die neue eingestellte Temperatur automatisch gelagert, und das Display wechselt auf aktuelle Istwert zurück.

Temperaturalarm

Weicht die Temperatur 3°C vom gewählten Sollwert für mindestens eine Stunde ab, wird Lo/aktuelle Temperatur beziehungsweise Hi/aktuelle Temperatur abwechselnd und blinkend angezeigt.

Es empfiehlt sich, die Weine ein paar Grade kälter als die gewünschte Trinktemperatur zu servieren, da sich der Wein beim Einschicken ins Glas etwas erwärmt.

Wendbare Tür W32

Die Tür kann folgendermaßen von rechts angeschlagen auf links angeschlagen und umgekehrt umgebaut werden:

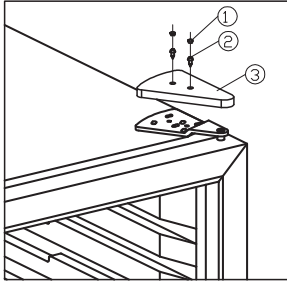


Abb. 7.1

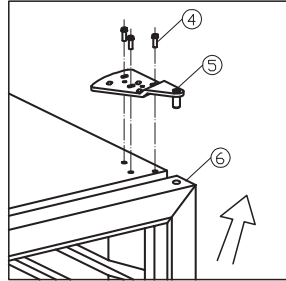


Abb. 7.2

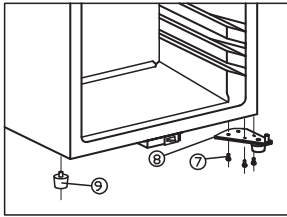


Abb. 7.3

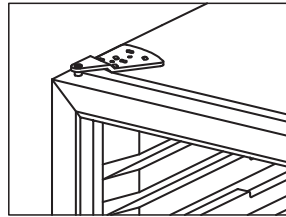


Abb. 7.4

1) Gummipfropfen 2) Schraube 3) Scharnierabdeckung 4+7) Schraube 5) Oberes Scharnier 6) Tür 7) Unteres Scharnier 8) Gehäusefuß, lang

- Die Schrauben und die Scharnierabdeckung entfernen. Siehe Abb. 7.1
- Während Sie die Tür festhalten das obere Scharnier abmontieren und die Tür hochheben. Abb. 7.2
- Das untere Scharnier abmontieren.(8)
- Entferne den langen Gehäusefuß auf der linken Seite und montiere ihn rechts. Abb. 7.3
- Montiere das untere Scharnier an der linken Seite.
- Setze die Tür auf das untere Scharnier und montiere das obere Scharnier auf der linken Seite. Abb. 7.4
- Montiere die Scharnierabdeckung und die Gummipfropfen.

Wendbare Tür W45

Die Tür kann folgendermaßen von rechts angeschlagen auf links angeschlagen und umgekehrt umgebaut werden:

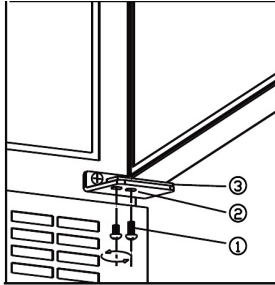


Abb. 8.1

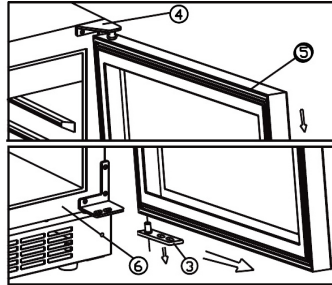


Abb. 8.2

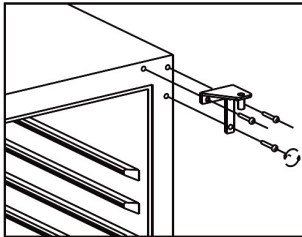


Abb. 8.3

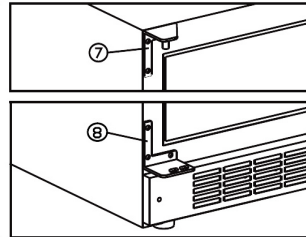


Abb. 8.4

1) Schraube 2) Unteres Scharnier, rechts 3) Türzapfen 4) Oberes Scharnier, rechts 5) Tür
6) Gehäuse 7) Oberes Scharnier, links 8) Unteres Scharnier, links

- Sicherstellen, daß der Schrank nicht an den Strom angeschlossen ist und den Schrank auf den Rücken legen
- Die Schrauben abmontieren (1) TÜR UNTERSTÜTZEN! Siehe Abb. 8.1
- Die Tür hervorziehen und vom oberen Scharnier abmontieren. Siehe Abb. 6.2
- Das rechte, obere Scharnier abmontieren und für späteren Gebrauch aufbewahren. Siehe Abb. 8.3
- Das beigelegte, linke, obere und untere Scharnier montieren (7 + 8). Siehe Abb. 8.4
- Den früher abmontierten Türzapfen (3) in das untere Scharnier einsetzen
- Die Tür im oberen Scharnier (7) und gegen den Türzapfen montieren (3), den Türzapfen festschrauben (1)
- Den Schrank wieder aufstellen und 1 Stunde warten, bevor Sie Strom anschließen, um Öl im Kühlsystem zu vermeiden

Abtauen, Reinigung und Wartung

Automatisches Abtauen

Der Weinschrank wird automatisch abgetaut. Das Tauwasser läuft durch ein Rohr in die Tauwasserschale, die sich auf dem Kompressor befindet. Das Wasser verdampft durch die Betriebswärme des Kompressors.

Reinigung

Zum Reinigen des Schrankinneren den Netzstecker von der Steckdose ziehen. Eine Mischung aus warmem Wasser und Spülmittel (max. 65 °C) ist dazu am besten geeignet. Verwenden Sie keine Reinigungsmittel, die Kratzer verursachen können. Verwenden Sie ein weiches Tuch. Mit klarem Wasser nachwischen und gut abtrocknen. Niemals scharfkantige oder spitze Gegenstände verwenden. Vermeiden Sie unnötiges Waschen der Holzfücher, als sie von unverarbeiteten Naturmaterialien hergestellt sind. Reinigungsmittel kann die Fächer verfärben.

Die Türdichtungsleiste muss regelmäßig gereinigt werden, um Verfärbungen zu vermeiden und lange Haltbarkeit zu gewährleisten. Klares Wasser verwenden. Nach der Reinigung der Türdichtungsleiste prüfen, ob sie dicht schließt.

Vom Verflüssiger unter dem Schrank, Kompressor und Kompressorraum den Staub am besten mit einem Staubsauger entfernen.

Austausch der Beleuchtung

Lichtdioden, die dafür dimensioniert sind, die ganze Lebensdauer des Geräts zu bestehen, werden angewendet. Wird es trotzdem notwendig, die Lichtquelle auszuwechseln, bitte Service hinzuziehen.

Fächer ausnehmen

Das Fach ganz zurück schieben und kippen. Das Fach kann jetzt herausgezogen werden.

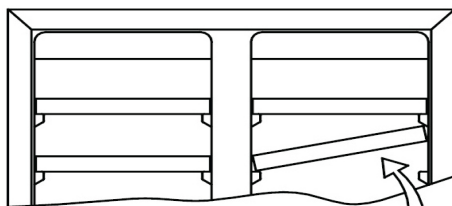


Abb. 9

Fehlersuche

Fehler	Mögliche Ursache	Abhilfe
Der Schrank reagiert nicht.	Der Schrank ist abgeschaltet. Stromausfall; Sicherung hat angesprochen; Netzstecker ist nicht richtig eingesteckt.	Ein-/Ausschalter betätigen. Prüfen, ob der Strom angeschlossen ist. Die Sicherung muss intakt/eingeschaltet sein.
Es läuft Wasser auf den Boden des Kühlschranks.	Das Tauwasserabflussrohr ist verstopft.	Tauwasserrinne und Abflussloch in der Rückwand reinigen.
Vibrationen oder störende Geräusche.	Der Schrank steht schief. Der Schrank berührt andere Küchenelemente. Behälter oder Flaschen im Schrank berühren sich.	Schrank mit einer Wasserwaage ausrichten. Schrank von den Küchenelementen oder Geräten abrücken, die er berührt. Für Abstände zwischen Flaschen und/oder Behältern sorgen.
Der Kompressor läuft ständig.	Hohe Raumtemperatur.	Für gute Belüftung sorgen.

Reklamation, Ersatzteile und Service

Der Lieferant haftet nicht für Fehler oder Schäden, die direkt oder indirekt durch Fehlbedienung, Missbrauch, mangelhafte Wartung, fehlerhaften Einbau, fehlerhafte Aufstellung oder fehlerhaften Anschluss sowie Feuer, Unfall, Blitzschlag, Spannungsänderungen oder andere elektrische Störungen – wie z.B. defekte Sicherungen oder Fehler in der Netzinstallation – sowie von anderen als den von dem Lieferanten vorgeschriebenen

Reparaturbetrieben ausgeführten Reparaturen verursacht wurden, und allgemein nicht für Fehler und Schäden, die der Lieferant nachweislich auf andere Ursachen als Fabrikations- und Materialfehler zurückführen kann. Diese Fehler oder Schäden fallen nicht unter das Reklamationsrecht.

Transportschäden, die der Anwender feststellt, sind primär eine Sache zwischen ihm und dem Händler, d.h. der Händler hat den Anwender zufrieden zu stellen.

Bevor Sie den Kundendienst rufen, prüfen Sie bitte, ob Sie den Fehler selbst beheben können (siehe Fehlersuche). Ist Ihr Hilfeverlangen unberechtigt, beispielsweise weil das Versagen des Geräts auf eine defekte Sicherung oder Fehlbedienung zurück zu führen ist, gehen die Kosten für den Servicebesuch zu Ihren Lasten.

Ersatzteile

Bitte bei der Ersatzteilbestellung Typ- und Seriennummer sowie Produktionsnummer angeben. Diese Angaben finden Sie auf dem Typenschild.

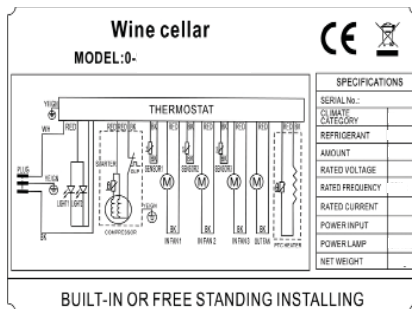


Abb. 10

Das Typenschild enthält verschiedene technische Angaben, u.a. auch Typ- und Seriennummer. Denken Sie daran! Stets nur autorisierte Handwerker zu beauftragen, wenn ein Teil repariert oder ausgewechselt werden muss!

Entsorgung

Benutzerinformation zur Sammlung und Entsorgung von veralteten Geräten und benutzten Batterien.



Diese Symbole auf den Produkten, Verpackungen und/oder Begleitdokumenten bedeuten, dass benutzte elektrische und elektronische Produkte und Batterien nicht in den allgemeinen Hausmüll gegeben werden sollen. Bitte bringen Sie diese alten Produkte und Batterien zur Behandlung, Aufarbeitung bzw. zum Recycling gemäß Ihrer Landesgesetzgebung und den Richtlinien 2012/19/EU und 2006/66/EC zu Ihren zuständigen Sammelpunkten.

Indem Sie diese Produkte und Batterien ordnungsgemäß entsorgen, helfen Sie dabei, wertvolle Ressourcen zu schützen und eventuelle negative Auswirkungen auf die menschliche Gesundheit und die Umwelt zu vermeiden, die anderenfalls durch eine unsachgemäße Abfallbehandlung auftreten können.

Wenn Sie ausführlichere Informationen zur Sammlung und zum Recycling alter Produkte und Batterien wünschen, wenden Sie sich bitte an Ihre örtlichen Verwaltungsbehörden, Ihren Abfallentsorgungsdienstleister oder an die Verkaufseinrichtung, in der Sie die Gegenstände gekauft haben.

Gemäß Landesvorschriften können wegen nicht ordnungsgemäßer Entsorgung dieses Abfalls Strafgerichte verhängt werden.



Für geschäftliche Nutzer in der Europäischen Union.

Wenn Sie elektrische oder elektronische Geräte entsorgen möchten, wenden Sie sich wegen genauerer Informationen bitte an Ihren Händler oder Lieferanten.

Informationen zur Entsorgung in Ländern außerhalb der Europäischen Union

Diese Symbole gelten nur innerhalb der Europäischen Union. Bitte treten Sie mit Ihrer Gemeindeverwaltung oder Ihrem Händler in Kontakt, wenn Sie dieses Produkt entsorgen möchten, und fragen Sie nach einer Entsorgungsmöglichkeit.



Hinweis zum Batteriesymbol:

Dieses Symbol kann in Kombination mit einem chemischen symbol verwendet werden. In diesem Fall erfüllt es die Anforderungen derjenigen Richtlinie, die für die betreffende Chemikalie erlassen wurde.

Avertissement

Puisque l'appareil contient un réfrigérant inflammable, il est essentiel de s'assurer que les conduits du fluide réfrigérant ne sont pas endommagés.

La quantité et le type de réfrigérant utilisée dans votre appareil est indiquée sur la plaque signalétique.

La norme EN378 précise que la pièce dans laquelle vous installez votre appareil doit posséder un volume de 1 m³ par 8 g de réfrigérant avec des hydrocarbures utilisés dans l'appareil afin d'éviter la formation de mélanges gaz/air inflammable dans la pièce où l'appareil est installé dans le cas où il y aurait une fuite dans le circuit réfrigérant.

AVERTISSEMENT:

Gardez les orifices de ventilation, situés sur la carrosserie de l'appareil ou autour de l'appareil, libres de toute obstruction.

AVERTISSEMENT:

Ne pas utiliser d'appareils mécaniques ou autres moyens pour accélérer la décongélation sauf ce qui est recommandé par le fabricant.

AVERTISSEMENT:

Ne pas endommager le système de réfrigération.

AVERTISSEMENT:

Ne pas utiliser d'appareils électriques à l'intérieur du compartiment de stockage sauf s'ils sont recommandés par le fabricant.

AVERTISSEMENT:

L'appareil ne doit pas être exposé à la pluie.

AVERTISSEMENT:

Cet appareil peut être utilisé par des enfants de 8 ans ou plus et par des personnes dotées de capacités physiques, sensorielles ou mentales réduites ou disposant de connaissances ou d'expérience insuffisantes, sous la surveillance d'un tiers responsable de leur sécurité ou bien lorsqu'ils ont reçu des instructions liées à l'utilisation de l'appareil en toute sécurité et qu'ils ont intégré les risques qui en résultent.

AVERTISSEMENT:

Les enfants ne doivent pas jouer avec l'appareil.

AVERTISSEMENT:

Le nettoyage et l'entretien ef-

fectué par l'utilisateur ne doivent pas être accomplis par des enfants, sauf s'ils sont âgés de 8 ans et plus et qu'un adulte les surveille.

AVERTISSEMENT:

Ne pas entreposer des explosifs, tels que les aérosols avec propulseurs inflammables dans l'appareil.



AVERTISSEMENT:

Danger – risque d'incendie ou d'explosion si réfrigérant inflammable utilisé. L'appareil doit seulement être réparé par un personnel qualifié.

AVERTISSEMENT:

Lors de la mise en place de l'appareil assurez-vous que son cordon d'alimentation n'est pas coincé ni endommagé

AVERTISSEMENT:

Ne placez pas plusieurs piles de courant portables ou des

sources d'alimentation portables à l'arrière de l'appareil.

- Conserver les clés dans un endroit hors de portée des enfants.
- Avant de faire l'entretien ou le nettoyage de l'appareil, débranchez-le de son alimentation.
- Si le câble d'alimentation est endommagé, il doit être remplacé par le fabricant, des représentants ou des professionnels agréés afin d'éviter les dangers.
- La formation de givre sur les parois intérieures de l'évaporateur et les parties supérieures est un phénomène naturel et normal. Retirez le givre avec un chiffon sec.
- Prenez note que toute modification de l'appareil annulera toutes les garanties et la responsabilité du fabricant.
- Cet appareil est destiné uniquement au stockage du vin

Produit équipé de diodes class 1, sans danger pour les yeux.

Sommaire

Avertissement.....	2
Caracteristiques techniques	4
Présentation de votre cave à vin	5
Avant la mise en service	6
Conseils pour réaliser des économies d'énergie :.....	6
Installation et mise en service	7
LED lumière.....	7
Utilisation et fonctionnement W32 et W45.....	9
Utilisation et fonctionnement W38	10
Inversion du sens d'ouverture de la porte - W32.....	11
Inversion du sens d'ouverture de la porte - W45.....	12
Dégivrage, nettoyage et entretien	13
Recherche de pannes	14
Garantie, pièces de rechange et service après-vente.....	15
Mise au rebut.....	16

Caracteristiques techniques

Le câblage et les raccordements électriques des systèmes d'alimentation électrique doivent respecter les normes électriques (locales et nationales) en vigueur. Consultez ces normes avant toute installation de l'appareil.

Ce dispositif est conforme aux directives de l'U.E. le concernant, y compris la Directive 2014/35/EU sur la Basse Tension et la Directive 2014/30/EU sur la Compatibilité Electromagnétique.

La prise de courant doit rester facilement accessible. Brancher la fiche mâle de l'appareil dans une prise secteur en 220/240 V / 50Hz églementairement reliée à la terre. La prise doit être protégée par un fusible/disjoncteur supportant de 10 A - 13A fusible.

Sur les appareils destinés aux pays non européens, vérifiez si la tension de branchement et le type de courant spécifiés sur la plaque signalétique concordent bien avec ceux offerts par le secteur du pays oncerné.

Les informations concernant la tension et la puissance absorbée / courant sont indiquées sur la plaque signalétique.

Si un changement de cordon d'alimentation électrique s'impose, cette opération est réservée à un spécialiste.

La plaque signalétique fournit diverses informations techniques ainsi que les numéros de type et de série.

N'utilisez en aucun cas des rallonges de câble.

Présentation de votre cave à vin

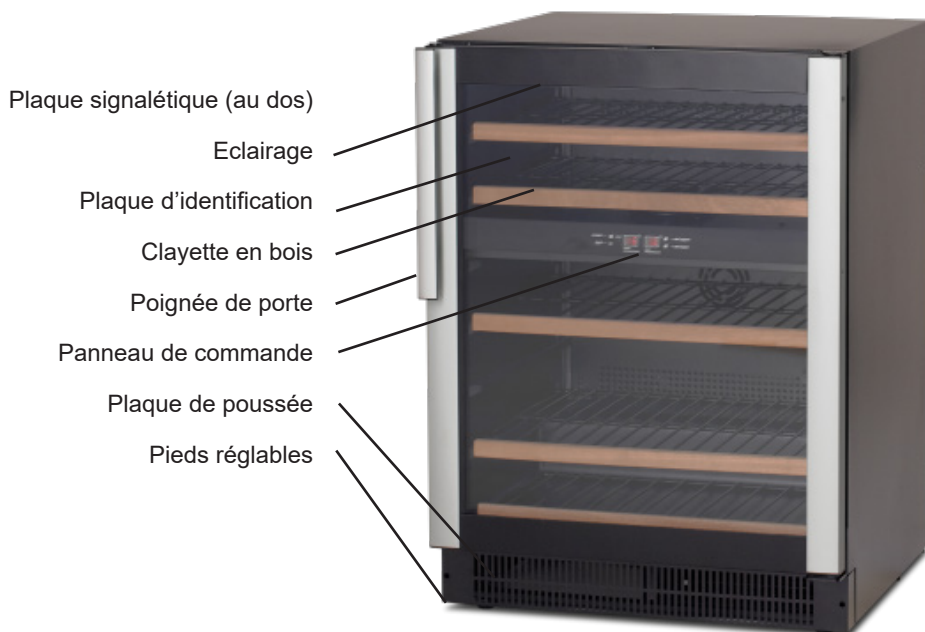


fig.1

Avant la mise en service

Avant de mettre en service votre nouvel appareil, lisez attentivement les instructions suivantes : elles contiennent des informations importantes sur la sécurité, l'installation, le fonctionnement et l'entretien de votre appareil. Conservez ce mode d'emploi pour pouvoir vous y reporter ultérieurement. A la réception, vérifiez que l'appareil n'a pas été endommagé pendant son transport. Tout dommage survenu pendant le transport doit être signalé au distributeur local avant la mise en service de la cave à vin.

Enlevez l'emballage. Nettoyez l'intérieur de l'appareil avec un mélange d'eau chaude et de détergent doux. Rincez à l'eau claire et séchez soigneusement (voir les instructions de nettoyage). Utilisez un chiffon doux. Si l'appareil a été couché pendant son transport, ou s'il a été stocké au froid (température inférieure à +5 °C), placez-le en position verticale pendant au moins une heure avant sa mise en service.

Conseils pour réaliser des économies d'énergie :

- 1) Plus la température ambiante est basse, plus la consommation énergétique diminue.
- 2) Plus le thermostat est réglé sur une température élevée, plus la consommation énergétique diminue.
- 3) Moins la fréquence et la durée des ouvertures de porte est élevée, plus la consommation énergétique diminue.

Installation et mise en service

Mise en place

Pour des raisons de sécurité et de fonctionnement, l'appareil ne doit pas être installé à l'extérieur.

Placez l'appareil sur une surface plane, dans une pièce sèche et bien ventilée (max. 75 % d'humidité atmosphérique relative). Ne placez jamais l'appareil à proximité de sources de chaleur telles que cuisinières ou radiateurs, et évitez de le placer à la lumière directe du soleil.

LED lumière

Afin de réduire la consommation d'énergie ce refroidisseur à vin éteindra automatiquement la lumière LED après 10 minutes.

Si vous désirez que la lumière LED restera allumée en permanence, cela est possible. Poussez et maintenez le bouton « LIGHT » enfoncé pendant 5 secondes, et l'écran affichera « LP ». Après 4 secondes, l'écran reviendra à l'affichage normal, et la lumière restera allumée jusqu'à ce qu'elle est éteinte manuellement.

Si vous désirez de revenir et économiser de l'énergie (recommandé), poussez et maintenez le bouton « LIGHT » enfoncé pendant 5 secondes, et l'écran affichera « LF ». Après 4 secondes, l'écran reviendra à l'affichage normal, et la lumière éteindra automatiquement après 10 minutes.

Température ambiante

La classe climatique figure sur la plaque signalétique (voir page 15).

Remarque: l'appareil fonctionne mieux à des températures ambiantes de 10 ° à 32°C

Installation

La surface sur laquelle l'appareil est posé doit être plane. N'utilisez pas de cadre ou autre. Il est important que l'appareil soit parfaitement à niveau. A cette fin, tournez les pieds réglables situés à l'avant de l'appareil dans un sens ou dans l'autre (fig. 2). A l'aide d'un niveau à bulle, vérifiez que l'appareil est parfaitement à niveau.

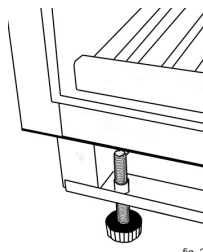


fig. 2

Encastrement

Le modèle **W32** ne peut pas être encastré. Veuillez à ce que l'air circule librement autour de l'appareil. (fig. 4)

Les modèles **W45 et W38** peuvent être encastrés dans un élément de cuisine ou bien installés comme unités indépendantes (fig. 3). Si l'appareil est encastré, assurez-vous que l'air circule librement au niveau de la plinthe posée devant l'appareil. La superficie totale de l'ouverture doit être comme décrite en fig. 3, et l'ouverture de chaque conduite d'air doit être de 5 mm au minimum.

Le cache-socle ci-joint se monte à l'aide des deux vis détachées dans le sac extérieur (fig. 2_1).

Le cache-socle ne doit pas être montée, si l'appareil est encastré derrière une plinthe.



fig. 2_1

Sur désir, le contenu du sac (fig. 2_1) peut être utilisé pour fixer l'appareil à un dessus de table.

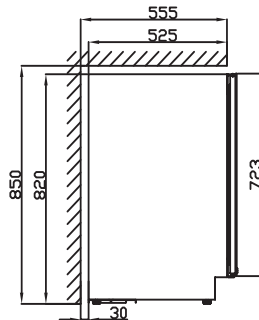
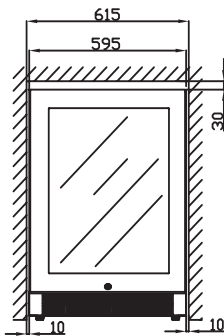


fig. 3

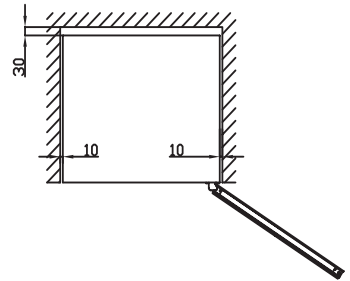


fig. 4

Utilisation et fonctionnement W32 et W45

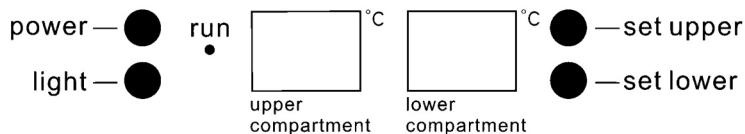


fig. 5

Commande électronique

La commande électronique permet de maintenir constantes les températures programmées dans les compartiments de l'appareil. Cela est rendu possible grâce à un système perfectionné qui commande le circuit de réfrigération, l'élément chauffant et le ventilateur. Après une panne de courant, la température revient à la valeur programmée par défaut en usine :

Compartiment supérieur : 6°C

Compartiment inférieur : 12°C

Les commandes électroniques permettent de réaliser les fonctions suivantes :

- Réglage de la température
- Affichage de la température
- Dégivrage automatique
- Alarme de température haute/basse
- Marche/Arrêt de l'éclairage
- Mise sous/hors tension de la cave à vin (maintenir enfoncé pendant 3 s)

Affichage de la température

L'écran affiche la température dans les compartiments. L'indicateur de température dispose d'un filtre intégré qui simule la température immédiate à l'intérieur des

bouteilles. C'est pourquoi la température affichée n'est pas affectée par les brèves variations de la température de l'air.

Réglage de la température

Les deux boutons du panneau de commande permettent de régler la température. En appuyant sur un bouton de température, l'affichage passe de la température immédiate à la température programmée. En appuyant de manière répétée sur le bouton, la valeur programmée défile sur la plage des températures disponibles.

La température du compartiment supérieur peut être réglée entre 5 et 10 degrés Celsius. La température du compartiment inférieur peut être réglée entre 10 et 18 degrés Celsius.

Alarme de température

Si la température s'est écartée 3°C de la valeur programmée pendant plus d'une heure, l'écran clignote et indique alternativement Lo / temp. réelle et Hi / température réelle.

Il est recommandé de servir le vin à une température inférieure de 2 degrés à la température de dégustation voulue car il se réchauffe légèrement lorsqu'il est versé dans le verre.

Utilisation et fonctionnement W38

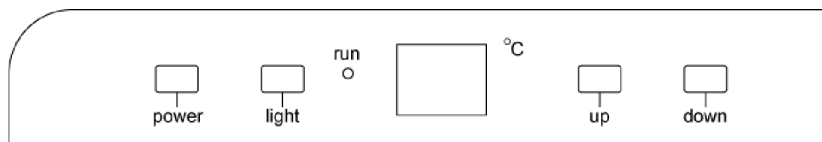


fig. 6

Commande électronique

La commande électronique permet de maintenir constantes les températures programmées dans les compartiments de l'appareil. Cela est rendu possible grâce à un système perfectionné qui commande le circuit de réfrigération, l'élément chauffant et le ventilateur. Après une panne de courant, la température revient à la valeur programmée par défaut en usine :

Compartiment gauche : 7 °C

Compartiment droit : 12 °C

Les commandes électroniques permettent de réaliser les fonctions suivantes :

- Réglage de la température
- Affichage de la température
- Dégivrage automatique
- Alarme de température haute/basse
- Marche/Arrêt de l'éclairage
- Mise sous/hors tension de la cave à vin (maintenir enfoncé pendant 3 s)

Affichage de la température

L'écran affiche la température dans les compartiments. L'indicateur de température dispose d'un filtre intégré qui simule la température immédiate à l'intérieur des bouteilles. C'est pourquoi la température affichée n'est pas affectée par les brèves

variations de la température de l'air.

Réglage de la température

Les deux boutons du panneau de commande permettent de régler la température. En appuyant sur un bouton de température, l'affichage passe de la température immédiate à la température programmée. Ensuite, il est possible de changer la valeur programmée.

UP = augmentation de la température

DOWN = réduction de la température

Dans les deux compartiments, la température peut être réglée entre 5 et 18 degrés Celsius.

La nouvelle valeur programmée est automatiquement enregistrée après 5 secondes d'inactivité, et l'écran affiche à nouveau la température immédiate.

Alarme de température

Si la température s'est écartée 3°C de la valeur programmée pendant plus d'une heure, l'écran clignote et indique alternativement Lo / température réelle et Hi / température réelle.

Il est recommandé de servir le vin à une température inférieure de 2 degrés à la température de dégustation voulue car il se réchauffe légèrement lorsqu'il est versé dans le verre.

Inversion du sens d'ouverture de la porte - W32

La porte peut s'ouvrir aussi bien à droite qu'à gauche ;
pour modifier son sens d'ouverture, procédez comme suit :

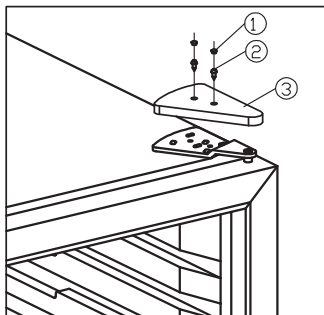


fig. 7.1

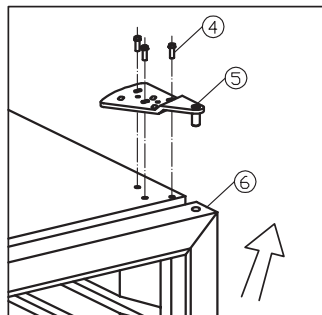


fig. 7.2

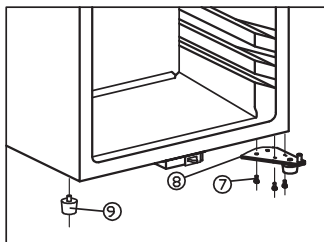


fig. 7.3

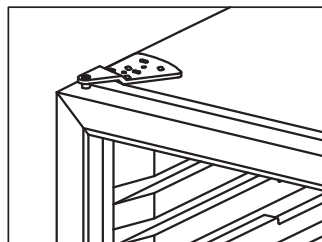


fig. 7.4

1) Bouchon de caoutchouc 2) Vis 3) Cache-charnière 4 +7) Vis 5) Charnière supérieure 6) Porte 7) Vis 8) Pied d'armoire

- Retirez les couvercles de vis et dévissez le couvercle décoratif. Voir fig. 7.1
- En retenant fermement la porte, relâchez et enlevez la charnière du haut, soulevez et retirez la porte. Voir fig. 7.2
- Dévissez la charnière du bas (8)
- Retirer la longue patte du cabinet (9) du côté gauche et faites là passer du côté droit. Voir fig. 7.3
- Installez la charnière du bas et fixez là à l'aide des boulons.
- Installez la porte sur l'axe de la charnière du bas (8) de la même façon dont elle a été enlevée, vissez la charnière du haut sur le côté droit.
- Re-fixez le couvercle décoratif et le couvercle de caoutchouc.

Inversion du sens d'ouverture de la porte - W45

La porte peut s'ouvrir aussi bien à droite qu'à gauche ;
pour modifier son sens d'ouverture, procédez comme suit

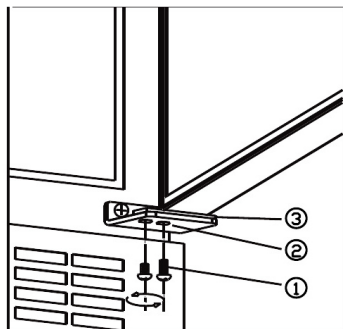


fig. 8.1

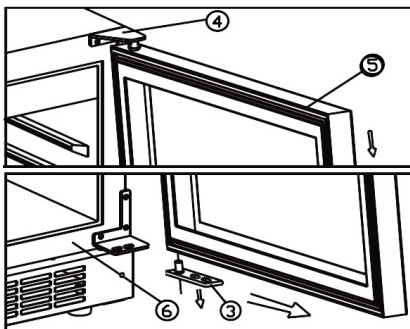


fig. 8.2

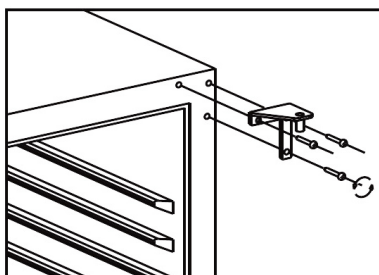


fig. 8.3

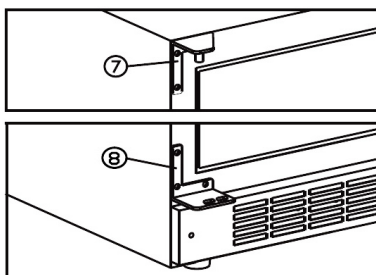


fig. 8.4

1) Vis 2) Charnière inférieure droite 3) Axe de porte 4) Charnière supérieure droite 5) Porte 6) Armoire 7) Charnière supérieure gauche 8) Charnière inférieure gauche

- Vérifiez que l'appareil n'est pas branché à l'alimentation secteur et placez-le sur le dos.
- Démontez les vis (1). **SOUTENEZ LA PORTE !** Voir fig. 8.1.
- Démontez la porte en tirant vers l'avant à l'opposé de la charnière supérieure. Voir fig. 8.2.
- Démontez la charnière supérieure droite et conservez-la. Voir fig. 8.3.
- Montez les charnières supérieure et inférieure gauches (7 + 8) fournies. Voir fig. 8.4.
- Remontez l'axe de porte précédemment démonté (3) dans la charnière inférieure.
- Montez la porte dans la charnière supérieure vers (7) l'axe de porte (3), serrez l'axe de porte (1).
- Relevez l'armoire et attendez 1 heure avant de la brancher à l'alimentation secteur pour éviter la présence d'huile dans le circuit de refroidissement.

Dégivrage, nettoyage et entretien

Dégivrage automatique

Le dégivrage de la cave à vin est automatique. L'eau de dégivrage s'écoule par un tuyau et elle est recueillie dans un bac situé au-dessus du compresseur. Elle s'évapore ensuite sous l'action de la chaleur dégagée par le compresseur.

Nettoyage

Avant de nettoyer l'appareil, débranchez-le de son alimentation secteur. Les meilleurs résultats sont obtenus en utilisant un mélange d'eau chaude (max. 65 °C) et d'une faible quantité de détergent doux. N'utilisez jamais de produits de nettoyage abrasifs. Utilisez un chiffon doux. Rincez à l'eau claire et séchez soigneusement. N'utilisez jamais d'instruments pointus ou tranchants. Évitez tout nettoyage inutile des clayettes en bois, car elles sont réalisées dans un matériau naturel non traité. Les produits de nettoyage peuvent décolorer les clayettes.

Le joint d'étanchéité de la porte doit être régulièrement nettoyé pour éviter qu'il ne se décolore et pour prolonger sa durée de vie. Utilisez de l'eau claire. Après avoir nettoyé le joint d'étanchéité de la porte, vérifiez qu'il joue toujours son rôle.

Utilisez un aspirateur pour enlever la poussière accumulée sur le condensateur situé sous la cave à vin, sur le compresseur et dans le compartiment du compresseur.

Remplacement de l'éclairage

Des diodes électroluminescentes conçues pour durer aussi longtemps que l'appareil équipent ce dernier. S'il s'avère cependant nécessaire de les changer, veuillez contacter le service après-vente.

Retrait des clayettes

Poussez la clayette jusqu'au bout et inclinez-la. Il est maintenant possible de retirer la clayette.

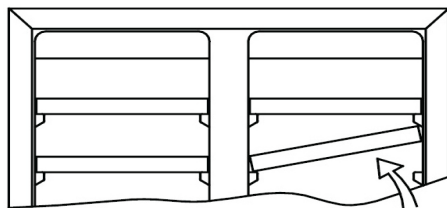


fig. 9

Recherche de pannes

Problème	Cause possible	Correction
L'appareil ne fonctionne pas+	L'appareil est hors tension. Panne de courant ; le fusible a sauté ; l'appareil n'est pas correctement branché.	Appuyez sur l'interrupteur marche/arrêt. Vérifiez qu'il est connecté à l'alimentation secteur. Vérifiez le fusible.
De l'eau s'écoule dans le fond de la cave à vin.	Le tuyau d'évacuation de l'eau de dégivrage est bouché.	Nettoyez la goulotte d'eau de dégivrage et l'orifice de vidange dans la paroi arrière de l'armoire.
Vibrations et bruits gênants.	L'appareil n'est pas de niveau. L'appareil touche d'autres éléments de cuisine. Des récipients ou des bouteilles se touchent dans l'appareil.	Mettez l'appareil de niveau (utilisez un niveau à bulle d'air). Écartez l'appareil des éléments de cuisine ou des appareils qu'il touche. Séparez les bouteilles ou les récipients qui s'entrechoquent.
Le compresseur tourne sans interruption.	Température ambiante élevée.	Vérifiez que la ventilation est appropriée.

Garantie, pièces de rechange et service après-vente

Les pannes ou les dommages dus directement ou indirectement à une utilisation incorrecte ou fautive, un entretien insuffisant, un encastrement, une mise en place ou un raccordement incorrect, un incendie, un accident, un impact de foudre, des variations de tension et tout autre dysfonctionnement électrique dû par exemple à des fusibles ou disjoncteurs défectueux, ou à des défauts du réseau d'alimentation électrique ne sont pas couverts par la garantie. Dans le cas de réparations effectuées par des personnes autres que les réparateurs agréés par le fournisseur, et en termes généraux l'ensemble des pannes et dommages dont le fournisseur peut prouver qu'ils sont dus à d'autres causes que des erreurs ou défauts de fabrication et de matériaux et qui, par conséquent, ne sont pas couverts par la garantie.

Veillez noter que lorsqu'une intervention dans la construction ou d'une modification des composants de l'appareil a été faite, la garantie et la responsabilité du fournisseur cesse, et l'appareil ne peut pas être utilisé légitimement. L'autorisation figurant sur la plaque signalétique ne sera plus valable.

Les dommages dus au transport et constatés chez le client sont à régler entre le client et le revendeur, ce qui signifie que ce-dernier doit s'assurer de la satisfaction du client.

Avant de faire appel au service après-vente, toujours contrôler les points énumérés dans la liste de recherche des pannes (voir ce point). Dans le cas où la cause de l'intervention demandée ressort de la responsabilité de la personne ayant fait appel au service après-vente, par exemple

si la panne de l'appareil est due à un fusible grillé ou à une mauvaise utilisation, c'est cette personne qui devra régler les frais entraînés par cette intervention.

Pièces de rechange

Lors de la commande de pièces de rechange, indiquer le type, numéro de produit et de production de l'appareil. Ces renseignements se trouvent sur la plaque signalétique au dos de l'appareil. La plaque signalétique renferme plusieurs informations techniques, dont les numéros de type et de série.

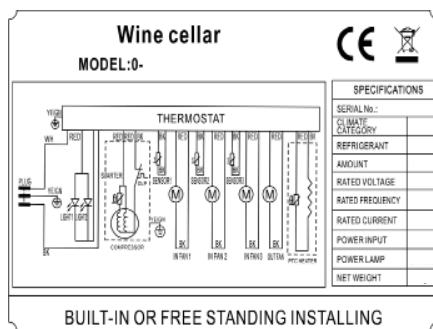


fig. 10

TOUJOURS faire appel à des services agréés en cas de réparation ou de remplacement !

Mise au rebut

Avis aux utilisateurs concernant la collecte et l'élimination des piles et des appareils électriques et électroniques usagés.



Apposé sur le produit lui-même, sur son emballage, ou figurant dans la documentation qui l'accompagne, ce pictogramme indique que les piles et appareils électriques et électroniques usagés doivent être séparés des ordures ménagères. Afin de permettre le traitement, la valorisation et le recyclage adéquats des piles et des appareils usagés, veuillez les porter à l'un des points de collecte prévus, conformément à la législation nationale en vigueur ainsi qu'aux directives 2012/19/EU et 2006/66/EC.

En éliminant piles et appareils usagés conformément à la réglementation en vigueur, vous contribuez à prévenir le gaspillage de ressources précieuses ainsi qu'à protéger la santé humaine et l'environnement contre les effets potentiellement nocifs d'une manipulation inappropriée des déchets.

Pour de plus amples renseignements sur la collecte et le recyclage des piles et appareils usagés, veuillez vous renseigner auprès de votre mairie, du service municipal d'enlèvement des déchets ou du point de vente où vous avez acheté les articles concernés.

Le non-respect de la réglementation relative à l'élimination des déchets



est passible d'une peine d'amende.

Pour les utilisateurs professionnels au sein de l'Union européenne

Si vous souhaitez vous défaire de pièces d'équipement électrique ou électronique, veuillez vous renseigner directement auprès de votre détaillant ou de votre fournisseur.

Information relative à l'élimination des déchets dans les pays extérieurs à l'Union européenne

Ce pictogramme n'est valide qu'à l'intérieur de l'Union européenne. Pour supprimer ce produit, contactez les autorités locales ou votre revendeur afin de connaître la procédure d'élimination à suivre.



Note relative au pictogramme à apposer sur les piles:

Le pictogramme représentant une poubelle sur roues barrée d'une croix est conforme à la réglementation. Si ce pictogramme est combiné avec un symbole chimique, il remplit également les exigences posées par la Directive relative au produit chimique concerné.

Advarsel

Da kølemidlet, som anvendes i apparatet, er en brændbar gasart, er det vigtigt at sikre, at kølekredsløb og rør ikke er beskadigede.

Mængde og type af kølemiddel i apparatet er angivet på typeskiltet.

Standard EN378 angiver, at rummet hvor apparatet installeres skal have en volumen på 1 m³ pr. 8 g kulbrinte kølemiddel, der er brugt i apparatet. Dette er for at undgå dannelse af brandfarlige gas-/luftblandinger i rummet, hvis der skulle opstå en utæthed i kølekredsløbet.

ADVARSEL:

Lad ventilationsåbninger, i apparatets kabinet og i eventuelt indbygningsmodul, være utildækkede.

ADVARSEL:

Anvend ikke mekaniske apparater eller andre hjælpemidler til at fremskynde afrimningsprocessen, udover dem som er anbefalet af fabrikanten.

ADVARSEL:

Undgå at beskadige kølemiddel-systemet

ADVARSEL:

Anvend ikke elektriske apparater inde i apparatet, medmindre de er af en type som er anbefalet af fabrikanten.

ADVARSEL:

Apparatet må ikke udsættes for regn.

ADVARSEL:

Dette apparat kan benyttes af børn fra en alder af 8 år og af personer med reducerede fysiske, sensoriske eller mentale evner eller manglende erfaring eller viden, hvis de er under opsigt af en person, der er ansvarlig for deres sikkerhed, eller hvis de er blevet instrueret i sikker brug af apparatet og har forstået de farer og risici, der kan være forbundet med brugen af apparatet.

ADVARSEL:

Børn må ikke bruge apparatet som legetøj.

ADVARSEL:

Rengøring og vedligeholdelse må ikke udføres af børn, med mindre de er over 8 år gamle og er under opsig.

ADVARSEL:

Opbevar ikke eksplosive stoffer såsom spraydåser med en brændbar drivgas i dette apparat.

**ADVARSEL:**

Fare og risiko for brand eller eksplosion, da kølemidlet er brændbart. Apparatet må kun repareres af uddannet personale.

ADVARSEL:

Rengøring og vedligeholdelse af apparatet, må ikke foretages af børn uden opsyn.

ADVARSEL:

Når apparatet sættes i positionering, sørg for at netledningen ikke er fastklemt eller beskadiget.

ADVARSEL:

Placer ikke forbindelsesbokse, forlængerledninger eller andre strømforsyninger på bagsiden af enheden.

- Opbevar altid nøgler et separat sted utilgængeligt for børn.
- Træk stikket ud af stikkontakten før reparation eller rengøring af apparatet.
- Hvis netledningen er beskadiget, skal den udskiftes af producenten, producentens serviceagent eller anden fagmand for at undgå fare.
- Dannelse af rim på den indvendige fordamperplade og de øverste dele er normalt. Apparatet skal derfor afrimes i forbindelse med almindelig rengøring eller vedligeholdelse.
- Vær opmærksom på at ændringer i apparatets konstruktion vil medføre, at al garanti og produktansvar bortfalder.
- Apparatet er udelukkende beregnet til opbevaring af vin.

CLASS 1 LED PRODUCT

Indhold

Advarsel.....	2
Tekniske data.....	4
Lær vinkabet at kende	5
Inden ibrugtagning	6
Energispare forslag	6
Ibrugtagning og installation.....	7
LED lyset	7
Betjening og funktion W32 og W45	9
Betjening og funktion W38	10
Omhængsling af dør W32	11
Omhængsling af dør W45	12
Afrimning, rengøring og vedligeholdelse ..	13
Fejlfindningsliste	14
Reklamation, reservedele og service	15
Bortskaffelse	16

Tekniske data

Ledninger og forbindelser til strømforsyningssystemer skal være i overensstemmelse med gældende lokale og nationale standarder og love.

Denne enhed overholder de relevante EU-direktiver, herunder Lavspændingsdirektivet 2014/35/EU - Elektromagnetisk kompatibilitet direktiv 2014/30/EU

Stikket skal være frit tilgængelig.

Tilslut kun apparatet til 220/240 V / 50Hz vekselstrøm via en korrekt installeret stikkontakt med jordforbindelse.

Stikkontakten skal være sikret med en 10A - 13A sikring.

Hvis apparatet skal betjenes i et ikke-europæisk land, tjek på typeskiltet, om anført spænding og strøm svarer til værdierne i din netspænding.

Oplysninger om spænding og effekt / strøm er angivet på typeskiltet.

Netledningen må kun udskiftes af en autoriseret.

Typeskiltet indeholder forskellige tekniske oplysninger, samt type og serienummer.

Lær vinskabet at kende

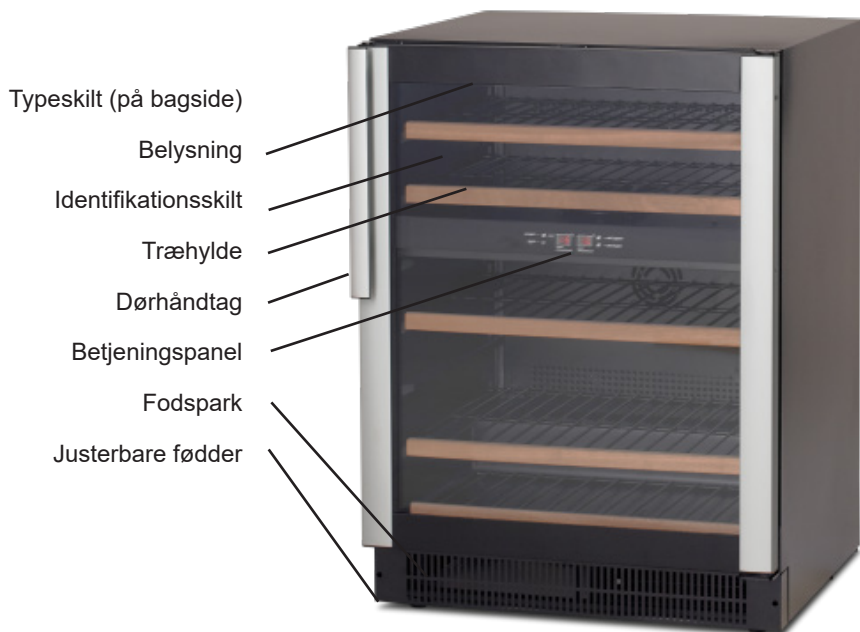


fig.1

Inden ibrugstaging

Inden du anvender dit nye apparat bør du læse brugsanvisningen grundigt. Brugsanvisningen indeholder vigtige informationer vedrørende sikkerhed, installation, drift og vedligeholdelse. Gem brugsanvisningen. Du kan få brug for den på et senere tidspunkt.

Kontroller at skabet ikke er beskadiget ved modtagelsen. Transportskader skal anmeldes til forhandleren inden køleskabet tages i brug.

Fjern emballagen. Rengør skabet indvendigt med lunken vand tilsat et mildt opvaskemiddel. Afvask med rent vand og tør grundigt af (se rengøring). Brug en blød klud.

Hvis skabet har ligget ned under transport eller det er blevet opbevaret i kolde omgivelser (koldere end +5 °C) skal apparatet stå op i minimum en time inden ibrugtagning.

Energispare forslag

Energiforbruget reduceres ..

- 1) .. jo lavere den omgivende temperatur er.
- 2) .. jo varmere termostat indstillingen er.
- 3) .. jo færre antal gange, døren bliver åbnet og jo kortere tid, døren står åben

Ibrugtagning og installation

Placering

Af sikkerhedsmæssige og driftsmæssige grunde må apparatet ikke placeres uden-dørs.

Stil skabet på et plant underlag i et tørt og godt ventileret rum (max. 75% relativ luftfugtighed). Anbring ikke skabet tæt på varmekilder såsom komfur eller radiator og undgå at det udsættes for direkte sollys eller varme fra anden varmekilde.

Rumtemperaturen

Klimaklassen står på typeskiltet (se side 15).

Bemærk: Skabet fungerer bedst ved rumtemperaturer mellem 10 ° og 32 ° C

Installation

Underlaget hvorpå skabet opstilles skal være plant. Brug ikke en ramme eller lignende.

Det er vigtigt, at skabet står helt lige. Man kan justere skabet ved at dreje de justerbare fødder i fronten op eller ned (se fig.2) Kontroller med et vaterpas, at skabet står lige.

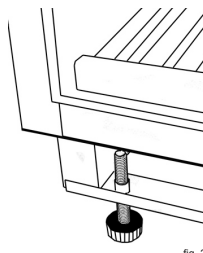


fig. 2

LED lyset

For at reducere energiforbruget, slukker skabet automatisk LED lyset efter 10 minutter.

Det er muligt at have LED-lyset tændt konstant.

Hold "LIGHT" knappen nede i 5 sekunder, displayet viser herefter "LP". Efter 4 sekunder vil displayet vende tilbage til normal, og lyset forbliver tændt indtil den igen slukkes manuelt.

Hvis du ønsker at vende tilbage til sparefunktionen, skal du holde "LIGHT" knappen nede i 5 sekunder. Displayet viser herefter "LP". Efter 4 sekunder vil displayet vende tilbage til normal, og lyset slukker automatisk efter 10 minutter.

Indbygning

W32 kan kun være fritstående og der skal sikres, at der er tilstrækkelig luft omkring skabet (figur 4).

Skabene **W45 og W38** kan bygges ind i et køkkenelement eller stå frit (figur 3). Ved indbygning af skabet skal det sikres, at der er tilstrækkelig luftgennemgang i køkkensoklen foran apparatet. Det samlede areal af lufthullerne skal være som beskrevet på figur 3, og den enkelte luftspalte skal have en åbning på mindst 5 mm.

Det medfølgende fodspark kan monteres med de to medfølgende skruer som ligger løse i yderposen. Se fig 2_1

OBS: Fodsparket ikke skal monteres, hvis apparatet indbygges bag en køkkensokkel.

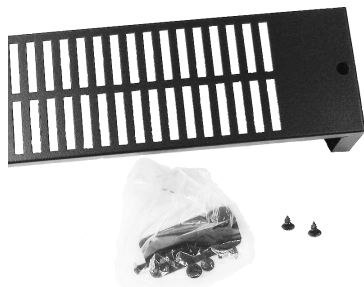


fig. 2_1

Hvis det ønskes kan indholdet i posen som ses på fig 2_1, bruges til at fastgøre skabet op mod en bordplade.

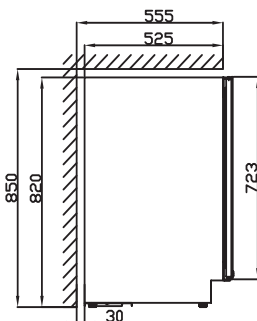
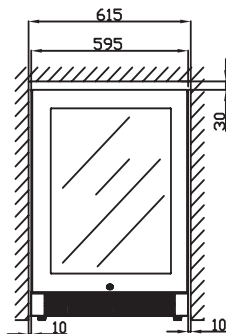


fig. 3

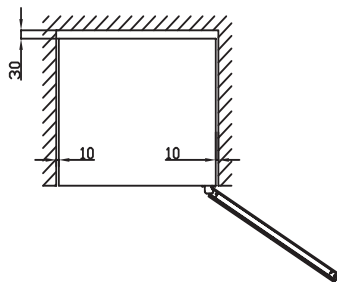


fig. 4

Betjening og funktion W32 og W45

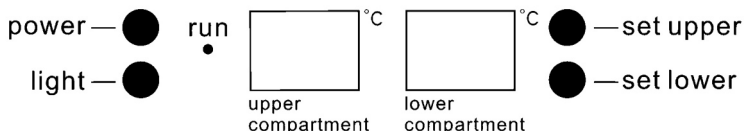


fig. 5

Elektronisk styring

Den elektroniske styring sørger for at skabet holder de indstillede temperaturer i afdelingerne. Dette opnås ved en avanceret styring af kølesystem, varmelegeme og ventilator.

Efter en eventuel strømafbrydelse nulstilles temperaturen til fabriksindstillingen, som er:

Øverst: 6°C

Nederst: 12°C

Den elektroniske styring har følgende funktioner:

- Temperaturindstilling
- Temperaturangivelse
- Automatisk afrimning
- Alarm ved høj og lav temperatur
- Lys tænd/sluk
- Enhed tænd/sluk (tryk og hold 3 sek)

Temperatur-udlæsning

Displayet viser den aktuelle temperatur i skabet. Temperaturvisningen har indbygget et filter som simulerer den aktuelle temperatur i flaskerne. Derfor reagerer udvisningen ikke på kortvarige variationer i lufttemperaturen.

Temperaturindstilling

Temperaturerne i afdelingerne indstilles med de to setknapper på den elektroniske styring. Når der trykkes på knappen ændres displayet fra den aktuelle temperatur til den indstillede temperatur.

Hvis der trykkes på knappen gentagne gange rulles gennem temperaturintervallet for indstillet temperatur.

Øverste afdeling kan justeres mellem 5 til 10 grader Celsius.

Nederste afdeling kan justeres mellem 10 til 18 grader Celsius.

Temperaturalarm

Hvis temperaturen har afvejet 3°C fra den valgte indstillede værdi i mindst 1 time vises henholdsvis Lo/aktuel temperatur og Hi/aktuel temperatur skiftevis, blinkende.

Det anbefales at servere vinene et par grader koldere end den ønskede drikketemperatur, da vinen ved skænkning i glasset hurtigt bliver varmet en anelse op.

Betjening og funktion W38

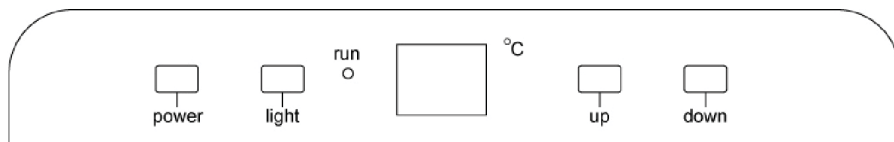


fig. 6

Elektronisk styring

Den elektroniske styring sørger for at skabet holder de indstillede temperaturer i afdelingerne. Dette opnås ved en avanceret styring af kølesystem, varmelegeme og ventilator.

Efter en eventuel strømafbrydelse nulstilles temperaturen til fabriksindstillingen, som er:

Venstre afdeling 7°C

Højre afdeling 12°C

Den elektroniske styring har følgende funktioner:

- Temperaturindstilling
- Temperaturangivelse
- •Automatisk afrimning
- •Alarm ved høj og lav temperatur
- •Lys tænd/sluk
- •Enhed tænd/sluk (tryk og hold 3 sek)

Temperatur-udlæsning

Displayet viser den aktuelle temperatur i skabet. Temperaturvisningen har indbygget et filter som simulerer den aktuelle temperatur i flaskerne, derfor reagerer udvisningen ikke på kortvarige variationer i lufttemperaturen.

Temperaturindstilling

Temperaturerne i afdelingerne indstilles med de to knapper på den elektroniske styring. Når der trykkes på knappen ændres displayet fra den aktuelle temperatur til den indstillede temperatur. Herefter kan setpunktet ændres for indstillet temperatur:

Up = varmere, Down = koldere.

Begge afdelinger kan justeres mellem 5 til 18 grader Celsius.

Det nye setpunkt lagres automatisk efter 5 sekunders inaktivitet, og displayet skifter tilbage til at vise aktuel temperatur.

Temperaturalarm

Hvis temperaturen har afvejet 3°C fra den valgte indstillede værdi i mindst 1 time vises henholdsvis Lo/aktuel temperatur og Hi/aktuel temperatur skiftevis, blinkende.

Det anbefales at servere vinene et par grader koldere end den ønskede drikketemperatur, da vinen ved skænkning i glasset hurtigt bliver varmet en anelse op.

Omhængsling af dør W32

Døren kan ændres fra højrehængt til venstrehængt og omvendt på følgende måde:

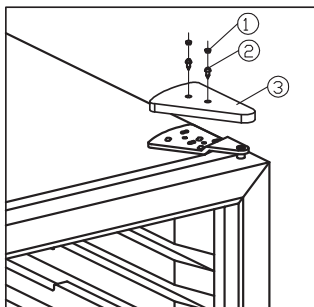


fig. 7.1

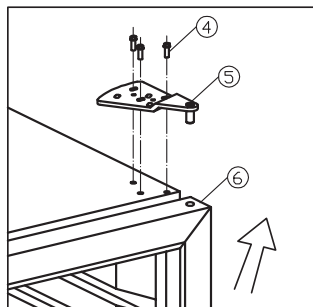


fig. 7.2

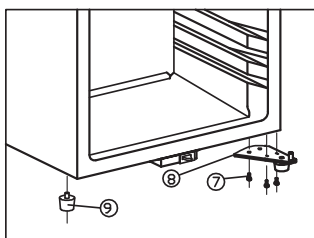


fig. 7.3

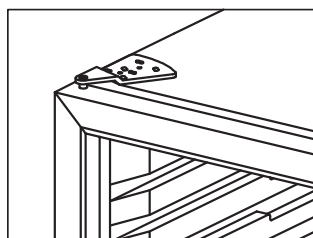


fig. 7.4

1) Gummiprop 2) Skruer 3) Hængselsafdækning 4+7) Skruer 5) Top hængsel 6) Dør
7) Skruer 8) Kabinetfod

- Fjern gummipropperne og hængsel afdækningen. Se fig.7.1
- Mens du støtter døren, løses og fjernes tophængsel og døren løftes af. Se fig.7.2
- Afmonter bundhængslet (8)
- Afmonter den høje kabinetfod (9) fra venstre side og monter den igen i modsat side. Se fig.7.3
- Monter bundhængslet med skruerne
- Monter døren på bundhængslet (8) på samme måde som den blev fjernet og monter tophængslet igen. Se fig.7.4
- Monter hængselafdækningen og propperne.

Omhængsling af dør W45

Døren kan ændres fra højrehængt til venstrehængt og omvendt på følgende måde:

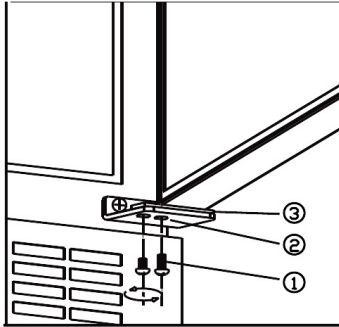


fig. 8.1

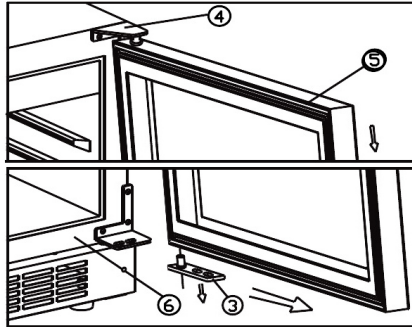


fig. 8.2

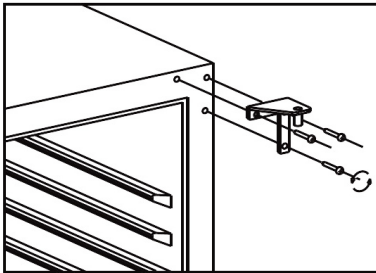


fig. 8.3

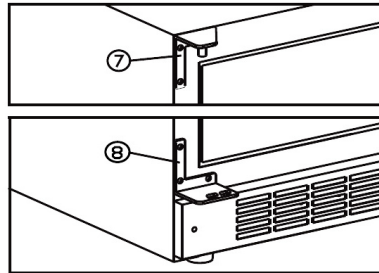


fig. 8.4

- 1) Skruer 2) Bundhængsel, højre 3) Dørtap 4) Tophængsel, højre 5) Dør 6) Kabinet
7) Tophængsel, venstre 8) Bundhængsel, venstre

- Sørg for kabinettet ikke er tilsluttet strøm og læg skabet på ryggen
- Afmonter skruerne (1) **STØT DØREN!** Se fig. 8.1
- Afmonter døren ved at trække døren frem og fri af tophængslet. Se fig. 8.2
- Afmonter højre tophængsel og gem for evt. senere brug. Se fig. 8.3
- Monter vedlagte venstre top- og bundhængsel (7 + 8). Se fig. 8.4
- Isæt den tidligere afmonterede dørtap (3) i bundhængslet
- Monter døren op i tophængslet (7) og ind på dørtappen (3), fastscrew dørtappen (1)
- Stil kabinettet op igen og vent 1 time inden der tilsluttes strøm for at undgå olie i kølesystemet

Afrimning, rengøring og vedligeholdelse

Automatisk afrimning af vinskabet

Afrimning af vinskabet sker automatisk. Smeltevandet løber gennem et rør ned til tøvandsskålen der sidder ved kompressoren. Vandet fordamper på grund af varmen fra kompressoren.

Rengøring

Før rengøring påbegyndes skal stikproppen fjernes fra stikkontakten. Skabet rengøres bedst med en opløsning af lunkent vand tilsat lidt opvaskemiddel (max. 65 °C). Anvend ikke rengøringsmidler der kan ridse. Brug en blød klud. Vask efter med rent vand og tør grundigt af. Brug aldrig skarpe eller spidse genstande. Undgå unødigt vask af træhylderne, da disse er af ubehandlet naturmateriale, og derfor kan misfarves af rengøringsmidler.

Tætningslisten rundt ved døren kræver jævnlig rengøring for at undgå misfarvning og sikre lang holdbarhed. Brug rent vand.

Efter rengøring af dørens tætningsliste bør du kontrollere om den fortsat slutter tæt.

På kondensatoren under kabinettet, på kompressoren og i kompressorummet fjernes støvet bedst med en støvsuger.

Udskiftning af lys

Der anvendes lysdioder som er dimensioneret til at holde hele produktets levetid. Skulle det alligevel blive nødvendigt at skifte lyskilden, så tilkald service.

Udtagning af hylder

Hylden skubbes helt i bund, og vippes skråt. Hylden kan nu trækkes ud.

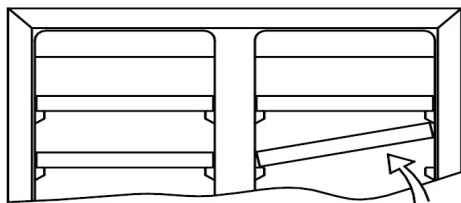


fig. 9

Fejlfindingsliste

Fejl	Mulig årsag	Afhjælpning
Skabet virker ikke	Skabet er slukket. Strømsvigt; sikringen er slået fra; netstikket er ikke sat rigtigt i.	Tryk på tænd/sluk knappen. Kontrollér om strømmen er tilsluttet. Sikringen skal være slået til.
Der løber vand i bunden af køleskabet.	Tøvandsafløbsrøret er tilstoppet.	Rens tøvandsrenden og afløbshullet i bagvæggen.
Vibrationer eller generende støj.	Skabet står skævt. Skabet hviler op mod andre køkkenelementer. Beholdere eller flasker berører hinanden i skabet.	Indstil skabet med et vaterpas. Ryk skabet væk fra køkkenelementerne eller apparater, som står umiddelbart op ad skabet. Sørg for afstand mellem flasker og/eller beholdere.
Kompressor kører konstant.	Høj rumtemperatur.	Sørg for god ventilation.

Reklamation, reservedele og service

Reklamationsretten

Såfremt der konstateres fejl ved produktet, kan De over for leverandøren gøre brug af reklamationsretten ifølge gældende lovgivning. Producenten skal for egen regning afhjælpe fabrikations- og materialefejl, der konstateres ved apparatets normale brug under forudsætning af, at apparatet er købt som fabriksnyt i Danmark. For Grønland og Færøerne gælder særlige bestemmelser.

Såfremt det skønnes nødvendigt at apparatet indsendes til værksted, sker indsendelse og returnering for producentens regning og risiko.

Der er ikke dækning for fejl eller skader direkte eller indirekte opstået ved fejlbetjening, misbrug, mangelfuld vedligeholdelse, forkert indbygning, opstilling eller tilslutning. Det samme gælder for brand, ulykke, lynnedslag, spændingsvariationer eller andre elektriske forstyrrelser som f.eks. defekte sikringer eller fejl i forsyningsnettets elektriske installationer.

Reparationer udført af andre end de anviste reparatører, og i det hele taget fejl og skader, som leverandøren kan godtgøre skyldes andre årsager end fabrikations- og materialefejl, er ikke omfattet af reklamationsretten.

Vær opmærksom på, at ved indgreb i apparatets opbygning, og ved ændring af apparatets komponentbestykning bortfalder garanti og produktansvar og apparatet kan ikke lovligt anvendes. Godkendelse anført på mærkeskiltet er ligeledes ugyldig.

Transportskader, der konstateres hos forbrugeren, er primært en sag mellem forbruger og forhandler, dvs. forhandler må drage

omsorg for, at forbrugeren stilles tilfreds. Inden du tilkalder serviceassistance, bedes du kontrollere de fejlmuligheder, du selv kan afhjælpe. (Se fejlfindingslisten)

Såfremt dit krav om afhjælpning er uberegtiget, eksempelvis hvis apparatets svigt skyldes en sprunget sikring eller en fejlbetjening, må du selv betale de omkostninger, der er forbundet med at have tilkaldt serviceassistance.

Reservedele

Angiv venligst type- og serienummer samt prod. nummer, når du bestiller reservedele.

Disse oplysninger finder du på typeskiltet. Typeskiltet indeholder forskellige tekniske oplysninger, samt type- og serienummer. Husk altid at bruge autoriserede håndværkere, hvis der er noget der skal repareres eller udskiftes!

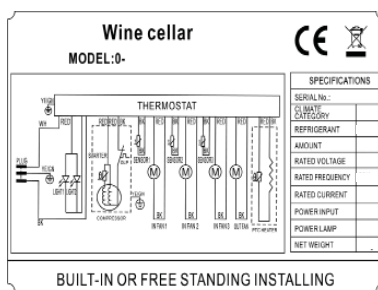


fig. 10

Bortskaffelse

Brugerinformation om indsamling og bortskaffelse af elektriskrot og brugte batterier



Disse symboler på produkter, emballage og/eller ledsagedokumenter betyder, at brugte elektriske og elektroniske produkter og batterier ikke må smides ud som almindeligt husholdningsaffald. Sådanne gamle produkter og batterier skal indleveres til behandling, genvinding resp. recycling i henhold til gældende nationale bestemmelser samt direktiverne 2012/19/EU og 2006/66/EC.

Ved at bortskaffe sådanne produkter og batterier på korrekt vis hjælper du med til at beskytte værdifulde ressourcer og imødegå de negative påvirkninger af det menneskelige helbred og miljøet, som vil kunne være følgen af usagkyndig affaldsbehandling.

Ønsker du mere udførlig information om indsamling og recycling af gamle produkter og batterier, kan du henvende dig til din kommune, deponeringselskabet eller stedet, hvor du har købt produkterne.

Usagkyndig bortskaffelse af elektriskrot og batterier kan eventuelt udløse bødeforlæg.



For kommercielle brugere i Den Europæiske Union

Når du ønsker at kassere elektriske eller elektroniske apparater, bedes du henvende dig til din forhandler eller leverandør for nærmere information.

Information om bortskaffelse i lande uden for Den Europæiske Union

Disse symboler gælder kun inden for Den Europæiske Union. Hvis du ønsker at afhænde dette produkt, skal du rette henvendelse til de lokale myndigheder eller din forhandler. Her kan du få oplysninger om, hvordan du bedst kommer af med produktet.

Information om batterisymbol:



Dette symbol kan optræde sammen med et kemisk symbol. I så fald opfylder det kravene for det direktiv, som er blevet fastlagt for det pågældende kemikalie.

Advarsel

Siden apparatet inneholder et meget brannfarlig kjølemiddel, er det viktig å sikre at kjølemiddelrørene ikke blir skadet.

Mengden av kjølemiddel i apparatet er angitt på typeskiltet.

Standarden EN378 angir at det rommet som apparatet skal installeres i, må ha et volum på 1 m³ pr. 8 g hydrokarbon-kjølemiddel i apparatet.

Dette er for å unngå dannelse av meget brannfarlige gass/luft-blandinger i rom hvor apparatet er plassert i tilfelle av en lekkasje i kjølemiddelkretsen.

ADVARSEL:

Sørg for at ventilasjonsåpninger i apparatet og innbyggingsmodul ikke er blokkert.

ADVARSEL:

Ikke bruk andre mekaniske redskaper eller metoder for å frem-skynde avriming enn dem som er anbefalt av produsenten.

ADVARSEL:

Kjølemiddelsystemet må ikke skades.

ADVARSEL:

Ikke bruk elektrisk utstyr inne i kjølerommet med mindre de er av en type som er anbefalt av produsenten.

ADVARSEL:

La ikke apparatet bli utsatt for regn.

ADVARSEL:

Dette apparatet skal kun brukes av barn over åtte år og personer med reduserte fysiske, sensoriske eller mentale evner eller manglende erfaringer eller kunnskap, dersom de holdes under oppsyn av en person som er ansvarlig for deres sikkerhet eller de har fått opplæring i sikker bruk av apparatet og har forstått farer som kan oppstå ved bruk.

ADVARSEL:

Barn skal ikke leke med apparatet.

ADVARSEL:

Rengjøring og brukervedlikehold skal ikke utføres av barn, med mindre de er over åtte år og er under oppsyn av voksne.

ADVARSEL:

Fare og risiko for brann eller eksplosjon da kjølemiddelet er brennbart. Må kun repareres av utdannet personale.

**ADVARSEL:**

Oppbevar ikke eksplosive stoffer, slik som sprayflasker med en brennbar drivgass, i dette apparatet.

ADVARSEL:

Når apparatet settes i posisjonering (el. posisjon), sørg for at nettleddningen ikke er fastklemt eller skadet.

ADVARSEL:

Ikke plasser forbindelsesbokser, forlengerledninger eller andre strømforsyninger på baksiden av enheten.

- Oppbevar alltid nøklene et annet sted og utenfor barns rekkevidde.
- Før det utføres service eller renhold av apparatet, må støpslet trekkes ut eller strømmen avbrytes.
- Hvis ledningen er skadet, må den skiftes ut av produsenten, dennes forhandler eller en annen kvalifisert person for å unngå fare for skade.
- Isdannelse på innvendig fordampervegg og øvre deler er naturlig forekommende, og derfor bør apparatet avrimes ved normalt renhold og vedlikehold.
- Vær oppmerksom på at endringer i konstruksjonen til apparatet vil medføre at garanti og produktansvar bortfaller.
- Apparatet er utelukkende beregnet til oppbevaring av vin

CLASS 1 LED PRODUCT

Innhold

Advarsel.....	2
Tekniske data.....	4
Bli kjent med vinskabet.....	5
Før bruk.....	6
Energispare forslag	6
Igangsetting og installasjon	7
LED lyset	7
Betjening og funksjon W32 og W45	9
Betjening og funksjon W38	10
Omhengsling av dør W32.....	11
Omhengsling av dør W45.....	12
Avriming, rengjøring og vedlikehold	13
Feilsøkingliste	14
Garanti, reservedeler og service	15
Kassering.....	16

Tekniske data

Dette apparatet er i overensstemmelse med relevante EU-direktiver inkludert Lavspenningsdirektivet 2014/35/EU og Direktivet for Elektromagnetisk kompatibilitet 2014/30/EU

Ledninger og forbindelser til strømforsyningsystemer skal være i overensstemmelse med gjeldende lokale og nasjonale standarder og lover.

Kontakten skal være fritt tilgjengelig.

Apparatet kobles kun til 220/240 v/50Hz vekselstrøm via en korrekt innstallert stikkontakt med jordforbindelse

Stikkkontakten skal være sikret med en 10 – 13A sikring

Dersom apparatet skal betjenes i et ikke-europeisk land, sjekk på typeskiltet, om anført spenning og strøm svarer til verdiene i din nettspenning.

Opplysning om spenning og effekt/strøm er angitt på typeskiltet

Typeskiltet gir forskjellig teknisk informasjon som f.eks. type og serienummer.

Bli kjent med vinskabet

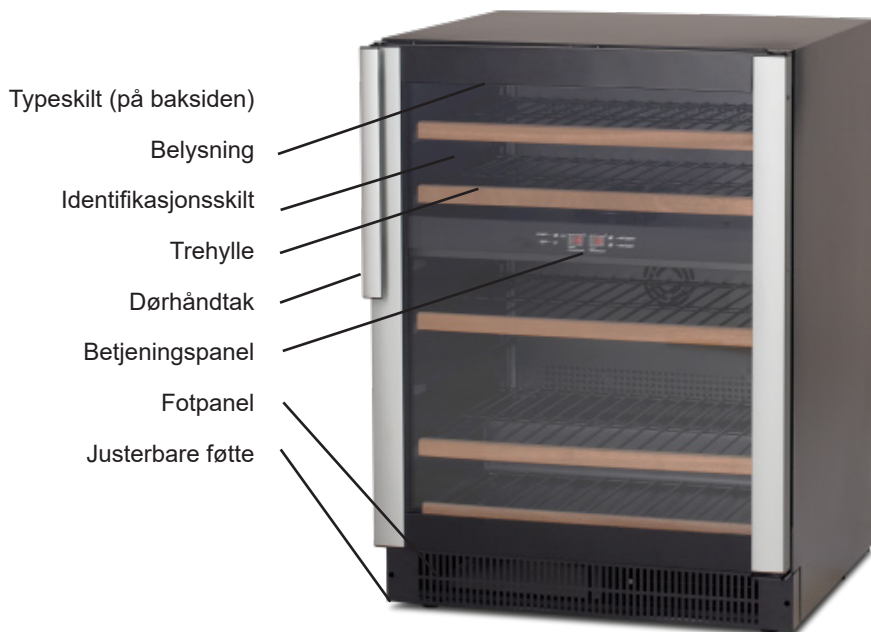


fig.1

Før bruk

Kontroller at skapet ikke har blitt skadet under transporten. Transportskader skal anmeldes til forhandleren før kjøleskapet tas i bruk.

Fjern emballasjen. Rengjør skapet innvendig med lunkent vann tilsatt et mildt oppvaskmiddel. Vask med rent vann og tørk grundig av (se rengjøring). Bruk en myk klut.

Hvis skapet har ligget ned under transport, eller det har blitt lagret i kalde omgivelser (kaldere enn +5 °C), må apparatet stå oppreist i minimum en time innen det tas i bruk.

Energispare forslag

Energiforbruket reduseres:

- 1) .. jo lavere romtemperaturen er
- 2) .. jo varmere termostaten er innstillet
- 3) .. jo mindre døren blir åpnet og jo kortere tid den er åpen.

Igangsetting og installasjon

Plassering

Apparatet skal av sikkerhets- og driftsmessige grunner ikke plasseres utendørs.

Sett skapet på et jevnt underlag i et tørt og godt ventilert rom (maks. 75 % relativ luftfuktighet). Ikke plasser skapet tett inntil varmekilder som komfyr eller radiator, og unngå at det utsettes for direkte sollys eller varme fra andre varmekilder.

Romtemperaturen

Klimaklassen står på typeskiltet (se side 15).

Merk: Skapet fungerer best ved romtemperaturer mellom 10 og 32 °C

Installasjon

Skapet skal settes på et jevnt underlag. Ikke bruk ramme eller lignende.

Det er viktig at skapet står helt rett. Du kan justere skapet ved å vri de justerbare føttene i fronten opp eller ned (se figur 2). Bruk et vater for å kontrollere at skapet står rett.

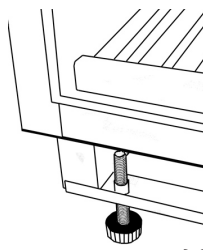


fig. 2

LED lyset

For å redusere energiforbruket slår skapet automatisk av LED-lyset etter 10 minutter.

Det er mulig å holde LED-lyset konstant på. Hold inne "LIGHT"-knappen i 5 sekunder, deretter viser displayet "LP". Etter 4 sekunder går displayet tilbake til normal visning og lyset holder seg på til du slår det av manuelt.

Hvis du ønsker å gå tilbake til sparefunksjonen, må du holde inne "LIGHT"-knappen i 5 sekunder. Deretter viser displayet "LP". Etter 4 sekunder går displayet tilbake til normal visning og lyset slår seg automatisk av etter 10 minutter.

Innbygging

W32 skal kun være frittstående, og du må sikre at det er tilstrekkelig luft rundt skapet (figur 3).

Skapene **W45** og **W38** kan bygges inn i et kjøkkenelement eller stå fritt (figur 4). Ved innbygging av skapet må du kontrollere at det er tilstrekkelig luftgjennomstrømning i kjøkkensokkelen foran apparatet. Hver luftspalte skal ha en åpning på minst 5 mm.

Fotpanelet som følger med, kan monteres med to de medfølgende skruene som ligger løst i plastposen.

OBS: Fotpanelet skal ikke monteres hvis apparatet bygges inn bak en kjøkkensokkel.

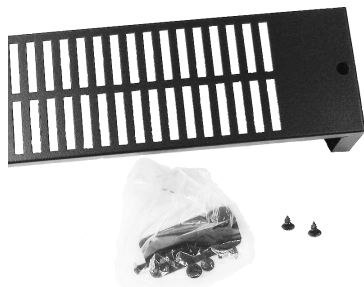


fig. 2_1

Hvis det ønskes kan indholdet i posen som ses på fig 2_1, brukes til at fastgøre skabet op mod en bordplade.

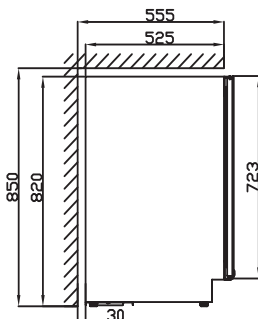
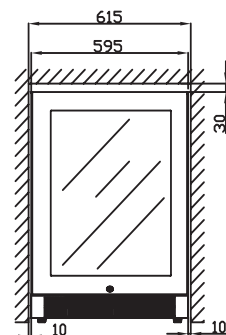


fig. 3

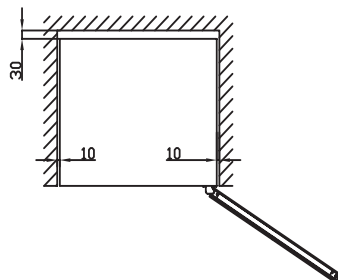


fig. 4

Betjening og funksjon W32 og W45

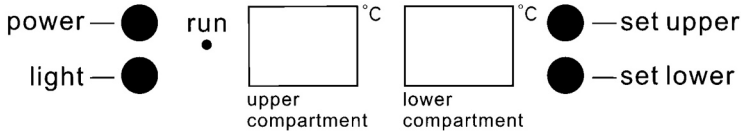


fig. 5

Elektronisk styring

Den elektroniske styringen sørger for at skapet holder de innstilte temperaturene i avdelingene. Dette oppnås vha. avansert styring av kjølesystem, varmelegeme og ventilator.

Etter et eventuelt strøbrudd nullstilles temperaturen til fabrikkinnstillingene, som er:

Øverst: 6 °C

Nederst: 12°C

Den elektroniske styringen har følgende funksjoner:

- Temperaturinnstilling
- Temperaturvisning
- Automatisk avriming
- Alarm ved høy og lav temperatur
- Slå lyset av/på
- Slå enheten av/på (hold inn 3 sek)

Temperaturdisplay

Displayet viser den aktuelle temperaturen i skapet. Temperaturdisplayet har et innebygd filter som simulerer den aktuelle temperaturen i flaskene. Derfor reagerer ikke displayet på kortvarige endringer i lufttemperaturen..

Temperaturinnstilling

Du stiller inn temperaturen i avdelingene med de to settknappene på den elektroniske styringen. Når du trykker på knappen, endres displayet fra den aktuelle temperaturen til den innstilte temperaturen.

Hvis du trykker på knappen flere ganger, blir du gjennom temperaturintervallet for innstilt temperatur.

Øverste avdelingen kan justeres fra 5 til 10 °C.

Nederste avdelingen kan justeres fra 10 til 18 °C.

Temperaturalarm

Hvis temperaturen avviker med 3 °C fra den valgte innstilte verdien i minst 1 time, blinker displayet og viser henholdsvis Lo/aktuell temperatur og Hi/aktuell temperatur.

Det anbefales å servere vinene et par grader kaldere enn ønsket drikketemperatur, ettersom vinen hurtig varmes litt opp etter at den er skjenket i glasset.

Betjening og funksjon W38

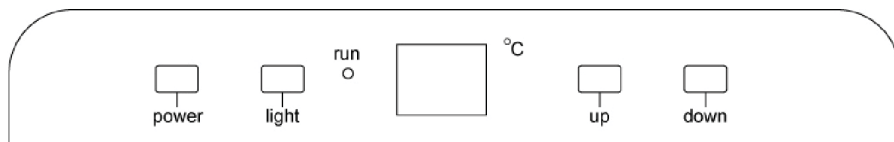


fig. 6

Elektronisk styring

Den elektroniske styringen sørger for at skapet holder de innstilte temperatuere i avdelingene. Dette oppnås vha. avansert styring av kjølesystem, varmelegeme og ventilator.

Etter et eventuelt strøbrudd nullstilles temperaturen til fabrikkinnstillingene, som er:

Venstre avdeling 7 °C

Høyre avdeling 12 °C

Den elektroniske styringen har følgende funksjoner:

- Temperaturinnstilling
- Temperaturvisning
- Automatisk avriming
- Alarm ved høy og lav temperatur
- Slå lyset av/på
- Slå enheten av/på (hold inn 3 sek)

Temperaturdisplay

Displayet viser den aktuelle temperaturen i skapet. Temperaturdisplayet har et innebygd filter som simulerer den aktuelle temperaturen i flaskene, derfor reagerer

ikke displayet på kortvarige endringer i lufttemperaturen.

Temperaturinnstilling

Du stiller inn temperaturen i avdelingene med de to knappene på den elektroniske styringen. Når du trykker på knappen, endres displayet fra den aktuelle temperaturen til den innstilte temperaturen. Heretter kan du endre settpunktet for innstilt temperatur:

Opp = varmere, ned = kaldere.

Begge avdelingene kan justeres fra 5 til 18 °C.

Det nye settpunktet lagres automatisk etter 5 sekunders inaktivitet, og displayet går tilbake til å vise aktuell temperatur.

Temperaturalarm

Hvis temperaturen avviker med 3 °C fra den valgte innstilte verdien i minst 1 time, blinker displayet og viser henholdsvis Lo/aktuell temperatur og Hi/aktuell temperatur.

Det anbefales å servere vinene et par grader kaldere enn ønsket drikketemperatur, ettersom vinen hurtig varmes litt opp etter at den er skjenket i glasset.

Omhengsling av dør W32

Du kan endre døren fra høyre- til venstrehengt og omvendt på følgende måte:

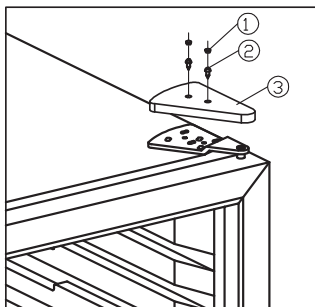


fig. 7.1

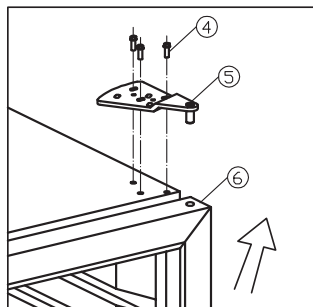


fig. 7.2

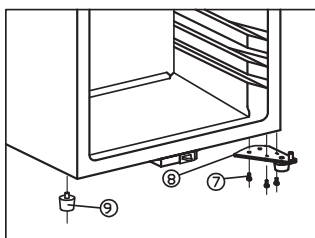


fig. 7.3

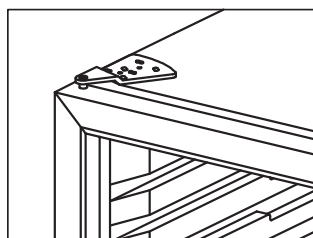


fig. 7.4

1) Gummipropp 2) Skruer 3) Hengseldeksel 4+7) Skruer 5) Toppengsel 6) Dør
7) Skruer 8) Kabinettfot

- Fjern gummiproppene og hengseldekslet. Se fig. 7.1
- Støtt døren mens du løsner og fjerner topphengslet, før du løfter av døren. Se fig. 7.2
- Monter av bunnhengslet (8)
- Monter av den høyre kabinettfoten (9) fra venstre side og monter den igjen på motsatt side. Se fig. 7.3
- Monter bunnhengslet med skruene
- Monter døren på bunnhengslet (8) på samme måte som den ble fjernet, og monter topphengslet igjen. Se fig. 7.4
- Monter hengseldekslet og proppene.

Omhengsling av dør W45

Du kan endre døren fra høyre- til venstrehengt og omvendt på følgende måte:

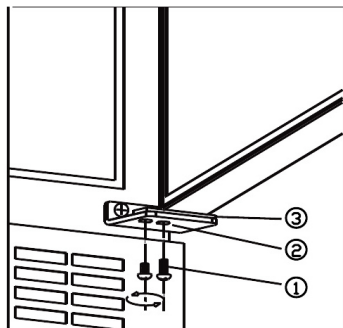


fig. 8.1

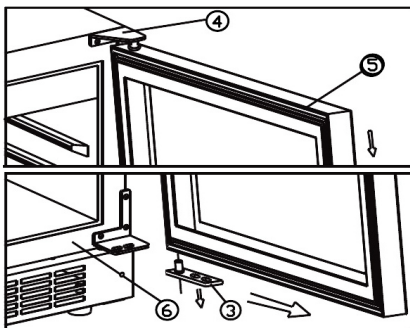


fig. 8.2

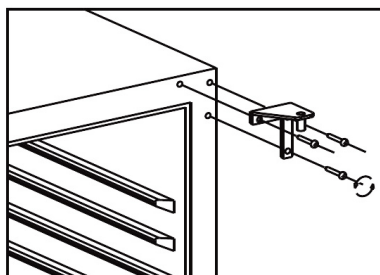


fig. 8.3

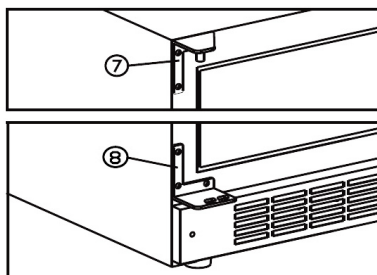


fig. 8.4

1) Skruer 2) Bunnhengsel, høyre 3) Dørtapp 4) Topphengsel, høyre 5) Dør 6) Kabinett
7) Topphengsel, venstre 8) Bunnhengsel, venstre

- Sørg for at kabinetter ikke er koblet til strøm, og legg skapet på ryggen
- Ta ut skruene (1) **STØTT DØREN!** Se fig. 8.1
- Monter av døren ved å trekke den fram og fri av topphengslet. Se fig. 8.2
- Monter av høyre topphengsel og ta vare på den for ev. senere bruk. Se fig. 8.3
- Monter vedlagte venstre topp- og bunnhengsel (7 + 8). Se fig. 8.4
- Sett dørtappen (3) du har montert av tidligere, inn i bunnhengslet
- Monter døren opp i topphengslet (7) og inn på dørtappen (3). Skru fast dørtappen (1)
- Sett opp kabinettet igjen, og vent 1 time før du kobler til strømmen for å unngå olje i kjølesystemet

Avriming, rengjøring og vedlikehold

Automatisk avriming av kjøleskapet

Avriming av kjøleskapet foregår automatisk, smeltevannet renner gjennom et rør ned til smeltevannsskålen som sitter på toppen av kompressoren. Vannet fordamper på grunn av varmen fra kompressoren. Smeltevannsskålen bør gjøres ren engang imellom.

Rengjøring

Slukk strømmen på PÅ/AV-knappen når skapet skal rengjøres innvendig. Skapet rengjøres best med en oppløsning av lun- kent vann tilsatt litt oppvaskmiddel (maks. 65 °C). Bruk ikke rengjøringsmidler som kan ripe. Bruk en myk klut. Vask med rent vann og tørk grundig av. Smeltevannsav- løpet, der kondensvannet fra fordampere renner ned, sitter i bunnen av bakveggen inne i skapet. Sørg for at det er rent. Bruk et desinfeksjonsmiddel, som f.eks. Rodalon, som skal dryppes i smeltevannsavløpet et par ganger om året. Rens med en piper- enser eller lignende. Bruk aldri skarpe eller spisse gjenstander.

Tetningslisten omkring døren krever jevnlig rengjøring for å unngå misfarging og sikre lang levetid. Bruk rent vann. Etter rengjø- ring av dørens tetningslist bør du kontrollere om den fortsatt er tettsluttende.

På kondensatoren, kompressoren og i kompressorrommet fjernes støvet best med en støvsuger.

Skift ut lys

Det brukes lysdioder som er dimensjonert til å holde hele levetiden til produktet. Dersom det likevel blir nødvendig å skifte ut lyskil- den, må du tilkalle service.

Ta ut hyller

Skiv hyllen helt ned og vipp den skrått. Nå kan du trekke ut hyllen.

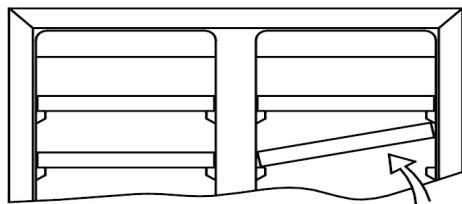


fig. 9

Feilsøkingsliste

Feil	Mulig årsak	Løsning
Skapet er "dødt"!	Skapet er slukket. Strømvavbrudd; sikringen er slått ut; støpslet er ikke satt riktig i.	Trykk på PÅ/AV-knappen. Kontroller om strømmen er tilkoblet. Sikringen skal være slått på.
Det renner vann i bunnen av kjøleskapet.	Smeltevannsavløpsrøret er tett.	Rens smeltevannsavløpet og avløpshullet i bakveggen.
Vibrasjoner eller sjenerende støy.	Skapet står skjevt. Skapet hviler mot andre kjøkkenelementer. Beholdere eller flasker berører hverandre i skapet.	Innstill skapet med et vater. Trekk skapet vekk fra kjøkkenelementer eller apparater som står umiddelbart opp langs skapet. Sørg for avstand mellom flasker og/eller beholdere.
Kompressoren går konstant.	Høy romtemperatur.	Sørg for god ventilasjon.

Garanti, reservedeler og service

Bortfall av garanti

Feil og skade forårsaket direkte eller indirekte av feilaktig bruk, misbruk, mangelfullt vedlikehold, uriktig innbygning, installasjon eller strømtilkobling. Brann, ulykke, lynnedslag, spenningsvariasjon eller andre elektrisk forstyrrelse, inkludert defekt sikring eller feil i de elektriske installasjonene er ikke dekket av denne garantien.

Reparasjoner utført av andre enn godkjente serviceverksteder og enhver annen feil eller skade som produsenten kan påvise er forårsaket av annet enn fabrikkasjons- eller materialfeil er ikke dekket av denne garantien.

Legg merke til at endringer i konstruksjonen av apparatet eller endringer av komponenter i apparatet vil medføre bortfall av garanti og produktansvar, og utstyret vil ikke lenger være tillatt å bruke. Godkjenningen på typeskiltet vil også være ugyldig.

Transportskade oppdaget av kjøper er primært et forhold mellom kjøper og forhandler, dvs. forhandleren må sikre at slike klager blir løst til kjøperens tilfredshet.

Før du kontakter service, bes du undersøke om du selv kan utbedre feilen. Hvis anmodning om assistanse ikke er dekket av garantien, f.eks. hvis feilen skyldes at sikringen er gått eller feilaktig bruk, vil du bli belastet de utgiftene som din henvendelse til service har utløst.

Reservedele

Ved bestilling av reservedeler, vennligst opplys type, serie- og produktnummer for apparatet. Denne informasjonen finnes på typeskiltet. Typeskiltet inneholder forskjellig teknisk informasjon, inkludert type- og serienummer.

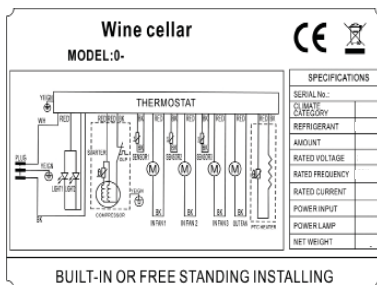


fig. 10

Kassering

Brukerinformasjon om innsamling og håndtering av gammelt utstyr og brukte batterier.



Slike symboler på produkter, emballasje, og/eller på medfølgende dokumenter betyr at brukte elektriske/elektroniske produkter og batterier ikke må blandes med vanlig husholdningsavfall. For riktig håndtering og gjenvinning av gamle produkter og brukte batterier, vennligst lever dem til anvendelige innsamlingssteder, i samsvar med nasjonal lovgivning og direktivene 2012/19/EU og 2006/66/EC.

Ved riktig håndtering av disse produktene og batteriene, hjelper du til med å spare verdifulle ressurser og forhindre potensielle negative effekter på menneskers helse og miljøet, som ellers kan oppstå ved uriktig avfallshåndtering.

For mer informasjon om innsamling og gjenvinning av gamle produkter og batterier, vennligst ta kontakt med kommunen, ditt renovasjonsselskap eller stedet der du kjøpte gjenstandene.

Ukorrekt håndtering av dette avfallet kan medføre straffansvar, i overensstemmelse med nasjonal lovgivning.



For forretningsdrivende brukere i EU.

Dersom du ønsker å kaste elektrisk og elektronisk utstyr, vennligst ta kontakt med din forhandler eller leverandør for videre informasjon.

Informasjon om håndtering i land utenfor EU

Disse symbolene gjelder bare innenfor EU. Hvis du ønsker å kassere dette produktet, må du ta kontakt med forhandleren eller de lokalemyndigheter og spørre dem om hvordan det skal kasseres på riktig måte.

Merknader for batterisymbol:



Dette symbolet kan bli brukt i kombinasjon med et kjemisk symbol. I dette tilfellet etterkommer det kravet satt av direktivet for det kjemikaliet det gjelder.

Varning

Eftersom kylmediet, som används i enheten, är en brännbar gastyp är det viktigt att säkerställa att kylkretslopp och rör inte är skadade.

Standard EN378 anger att utrymmet där enheten installeras ska ha en volym på 1 m³ per 8 g kylmedie med kolväte som används i enheten. Detta för att undvika bildandet av brandfarliga gas-/luftblandningar i utrymmet om det skulle uppstå en läcka i kylkretsloppet.

Mängden kylmedie i enheten anges på typskylten.

WARNING:

Skada inte kylkretsen. Under transport och positionering av kylskåpet, undvik skador på kylgaskretsen.

WARNING:

Håll ventilationsöppningarna, i apparatens hölje eller i den inbyggda strukturen, fria från hinder.

WARNING:

Använd inte mekaniska enheter eller andra sätt att påskynda avfrostningsprocessen, än de som rekommenderas av tillverkaren.

WARNING:

Använd inte elektrisk utrustning i kylens matförvaringsdel, om den inte är av den typ som rekommenderas av tillverkaren.

WARNING:

Använd inte elektrisk utrustning i kylens matförvaringsdel, om den inte är av den typ som rekommenderas av tillverkaren.

WARNING:

Ditt kylskåp bör aldrig användas utomhus eller lämnas under regn.

WARNING:

Enheter ska inte användas av människor (inklusive barn) med nedsatt fysisk eller mentala förmågor eller brist på erfarenhet och kunskap, om de inte övervakas eller får instruktioner angående användningen av apparaten av en person som ansvarar för deras säkerhet. Barn bör övervakas så att de inte leker med enheten.

WARNING:

Denna apparat kan användas av barn från 8 år och uppåt och personer med nedsatt fysisk eller mental förmåga eller brist på

erfarenhet och kunskap, om de övervakas eller får instruktioner angående användning av apparaten på ett säkert sätt och förstår faran den innebär. Låt inte barn leka med enheten. Rengöring och användarunderhåll, får inte utföras av barn utan tillsyn.

WARNING:

Barn får inte använda apparaten som leksaker.

WARNING:

Rengöring och underhåll får inte utföras av barn, med mindre är de över 8 år och är under övervakning.

WARNING:

Förvara inga explosiva ämnen såsom erosolburkar med en brandfarlig drivgas i denna apparat.

**WARNING:**

Fara och risk för brand eller explosion när köldmediet är lättantändligt. Enheten får endast repareras av utbildad personal.

- Använd inte fler-uttag eller förlängningsladd.
- Dra ur stickproppen ur stickkontakten innan reparation eller rengöring av enheten.
- Om uttaget inte matchar kylskåpskontakten, måste den bytas ut av tillverkaren, dess serviceombud eller liknande kvalificerade personer för att undvika fara.
- Om sladden är skadad, måste den bytas ut av tillverkaren, dess serviceombud eller liknande kvalificerade personer för att undvika fara.
- Frostbildning på invändig vaporisatorplåt och övre delar är normalt. Enheten ska därför frostas av i samband med allmän rengöring eller underhåll.
- Vid ändring av enhetens konstruktion upphör samtlig garanti och produktansvaret bortfaller.
- Denna produkt är enbart avsedd att användas för förvaring av vin

Innehåll

Varning	2
Tekniska data.....	4
Lär känna din vinkyl.....	5
Före användning.....	6
Reducerad energiförbrukning vid användningen	6
Driftsättning och installation.....	7
LED-lyset.....	7
Hjälp och funktion W32 og W45	9
Hjälp och funktion W38	10
Byt gångjärn på dörr W32.....	11
Byt gångjärn på dörr W45.....	12
Avfrostning, rengöring och underhåll	13
Fellista	14
Garanti, reservdelar och service.....	15
Bortskaffning.....	16

Tekniska data

Anordningen uppfyller kraven i alla relevanta EU-direktiv, t.ex. lågspänningsdirektivet 2014/35/EU och EMC-direktivet 2014/30/EU

Kablar och anslutningar till strömförsörjningssystem måste följa alla (nationella och lokala) förordningar
Kylskåpet är avsett för anslutning till växel-ström. Anslutningen ska ske till ett fristående uttag.

Anslut apparaten till 220-240 V / 50 Hz växelström via en korrekt installerad jordat uttag. Uttaget måste skyddas med en 10 -13 A säkring.

För utrustning som används i icke-europeiska länder, kontrollera typskylten på strömförsörjningen har rätt angiven spänning och strömstyrka

Anslutningsvärdena för spänning (V) och frekvens (Hz) finns angivna på typskylten inne i enheten.

Om sladden är skadad, måste den bytas ut av tillverkaren, dess serviceombud eller liknande kvalificerade personer för att undvika fara.

Lär känna din vinkyl

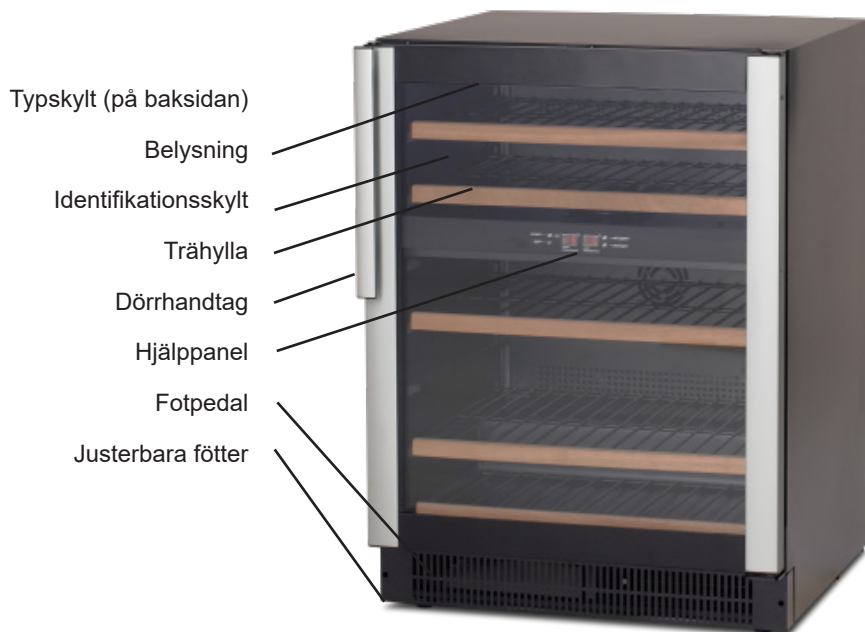


fig.1

Före användning

Före användning: Kontrollera att skåpet inte är skadat. Transportskador skall anmälas till återförsäljaren.

Placera kylskåpet på en plats där det inte utsätts för direkt solljus.

Fjern emballagen. Innan du använder ditt kylskåp, torka av alla delar med varmt vatten och ett mildt rengöringsmedel, och skölj sedan med rent vatten och torka.

När det används för första gången eller efter transport, ställ ditt kylskåp i upprätt läge i min. 1 timmar utan ström. Annars kan du skada kompressorn.

Reducerad energiförbrukning vid användningen

Energiförbrukningen sjunker:

- 1) Med lägre omgivningstemperatur.
- 2) Med högre börvärdesinställning på termostaten.
- 3) Ju färre gånger man öppnar dörren och ju kortare tid den är öppen.

Driftsättning och installation

Placering

Av säkerhets- och driftsmässiga skäl får kylan inte placeras utomhus.

Ställ kylan på ett plant underlag i ett torrt och ventilerat rum (max. 75 % relativ luftfuktighet). Ställ inte kylan nära värmekällor som spis eller element, och undvik att den utsätts för direkt solljus eller värme från en annan källa.

Rumstemperaturen

Klimatklassen står på typskylten (se sida 15).

OBS: Kylan fungerar bäst vid en rumstemperatur mellan 10 och 32 °C

Installation

Underlaget som kylan står på ska vara plant. Använd inte en ram eller liknande.

Det är viktigt att kylan står helt rakt. Man kan justera skåpet med hjälp av de justerbara fötterna framtill (se fig. 2). Kontrollera med ett vattenpass att skåpet står rakt.

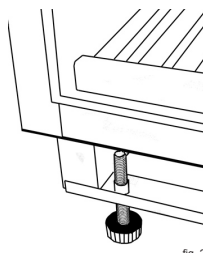


fig. 2

LED-lyset

För att minska energiförbrukningen släcks LED-ljuset automatiskt efter 10 minuter.

Det är möjligt att hela tiden ha ljuset tänd. Håll in knappen "LIGHT" i 5 sekunder tills skärmen visar "LP". Efter 4 sekunder återställs skärmen och ljuset förblir tänd tills det manuellt stängs av.

Om du vill återgå till energisparläget håller du in knappen "LIGHT" i 5 sekunder. Skärmen visar då "LP". Efter 4 sekunder återställs skärmen och ljuset släcks automatiskt efter 10 minuter.

Innbyggnig

W32 kan endast vara fristående och det måste finnas tillräckligt med luft omkring kylan (fig. 4).

W45 og **W38** kan byggas in i ett kök eller stå fritt (fig. 3). Om skåpet ska byggas in måste det finnas tillräcklig luftutrymme mellan kökslisten och kylan. Luftspringan måste vara minst 5 mm bred.

Den medföljande fotpedalen kan monteras med skruvarna som ligger lösa i plastpåsen.

OBS: Fotpedalen ska inte monteras om kylan byggs in bakom en kökslist.

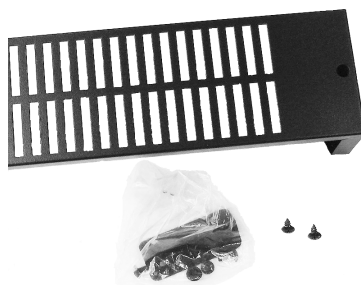


fig. 2_1

Innehållet i påsen som ses i figur 2.1 kan användas för att fästa kylan.

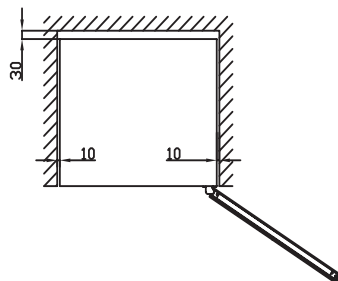
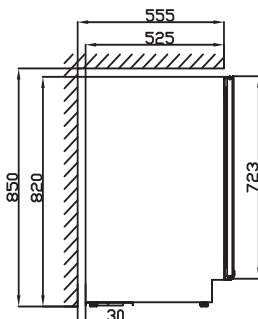
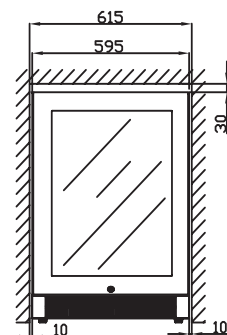


fig. 3

fig. 4

Hjälp och funktion W32 og W45

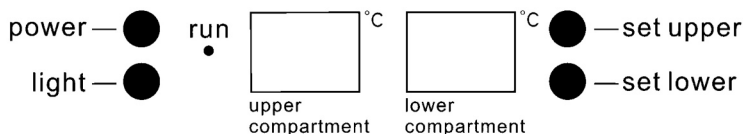


fig. 5

Elektronisk styrning

Den elektroniska styrningen ser till att kylen håller den inställda temperaturerna i de olika delarna med hjälp av ett avancerat kylsystem, värmereglage och fläktar.

Efter ett strömavbrott nollställs temperaturen till fabriksinställningarna, som är:

Överst: 6 °C

Nederst: 12 °C

Den elektroniska styrningen har följande funktioner:

- Temperaturinställning
- Temperaturangivning
- Automatisk avfrostning
- Larm vid hög eller låg temperatur
- Ljus på/av
- Enhet på/av (tryck och håll in i 3 sek)

Temperaturläsning

Displayen anger den aktuella temperaturen i kylen. Temperaturangivningen har ett inbyggt filter som simulerar den aktuella temperaturen i flaskorna. Därför reagerar den inte på kortvariga variationer i lufttemperaturen.

Temperaturinställning

Temperaturen i de olika delarna ställs in med de två knapparna vid skärmen. När du trycker syns den inställda temperaturen på skärmen istället för den aktuella temperaturen.

Tryck på knappen flera gånger tills du når den önskade temperaturen.

Den översta delen kan ställas in mellan 5 och 10 grader Celsius.

Den nedersta delen kan ställas in mellan 10 och 18 grader Celsius.

Temperaturlarm

Om temperaturen avviker 3 °C från den inställda temperaturen i minst 1 timma visas Lo/aktuell temperatur och Hi/aktuell temperatur omväxlande och blinkande.

Det rekommenderas att servera vinerna ett par grader kallare än den önskade drickstemperaturen då vinet snabbt värms upp en aning när det hälls upp i glaset.

Hjälp och funktion W38

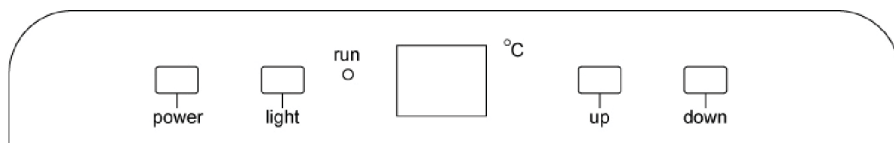


fig. 6

Elektronisk styrning

Den elektroniska styrningen ser till att kylen håller den inställda temperaturerna i de olika delarna med hjälp av ett avancerat kylsystem, värmeregulering och fläktar.

Efter ett strömavbrott nollställs temperaturen till fabriksinställningarna, som är:

Vänster del 7°C

Höger del 12°C

Den elektroniska styrningen har följande funktioner:

- Temperaturinställning
- Temperaturangivning
- Automatisk avfrostning
- Larm vid hög eller låg temperatur
- Ljus på/av
- Enhet på/av (tryck och håll in i 3 sek)

Temperaturläsning

Displayen anger den aktuella temperaturen i kylen. Temperaturangivningen har ett inbyggt filter som simulerar den aktuella temperaturen i flaskorna och därför reagerar den inte på kortvariga variationer i lufttemperaturen.

Temperaturinställning

Temperaturen i de olika delarna ställs i med de två knapparna vid skärmen. När du trycker syns den inställda temperaturen på skärmen istället för den aktuella temperaturen. Du kan ändra den inställda temperaturen med:

Up = varmare, Down = kallare.

Båda delar kan justeras mellan 5 och 18 grader Celsius.

Den nya temperaturen sparas automatiskt efter 5 sekunders inaktivitet och displayen visar återigen den aktuella temperaturen.

Temperaturlarm

Om temperaturen avviker 3°C från den inställda temperaturen i minst 1 timma visas Lo/aktuell temperatur och Hi/aktuell temperatur omväxlande och blinkande.

Det rekommenderas att servera vinerna ett par grader kallare än den önskade drickstemperaturen då vinet snabbt värms upp en aning när det hälls upp i glaset.

Byt gångjärn på dörr W32

Dörren kan ändras från högerhängd till vänsterhängd och omvänt på följande sätt:

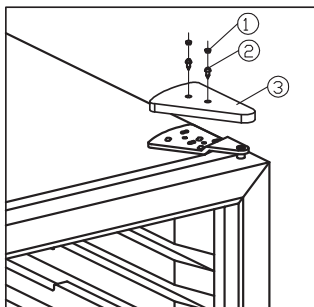


fig. 7.1

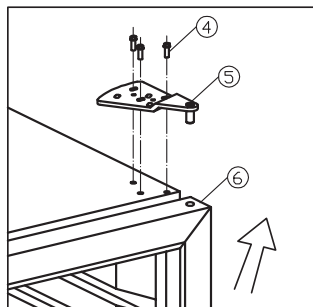


fig. 7.2

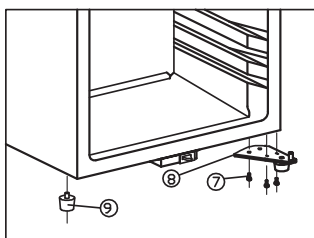


fig. 7.3

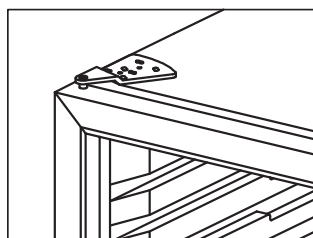


fig. 7.4

1) Gummipropp 2) Skruv 3) Skydd 4+7) Skruvar 5) övre gångjärn 6) Dörr
7) Skruv 8) Kylens fot

- Ta bort gummipropparna och skydden.
Se fig. 7.1
- Medan du stöttar upp dörren lossar och tar du bort de övre gångjärnen och lyfter av dörren. Se fig. 7.2
- Montera av det nedre gångjärnet (8)
- Montera av den höga foten (9) på vänster sida och montera fast den på motsatt sida. Se fig. 7.3
- Montera det nedre gångjärnet med skruvarna
- Montera dörren på det nedre gångjärnet (8) på samma sätt som den togs bort och montera på det övre gångjärnet igen. Se fig. 7.4
- Sätt på skyddet och propparna.

Byt gångjärn på dörr W45

Dörren kan ändras från högerhängd till vänsterhängd och omvänt på följande sätt:

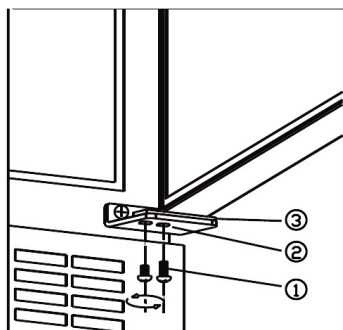


fig. 8.1

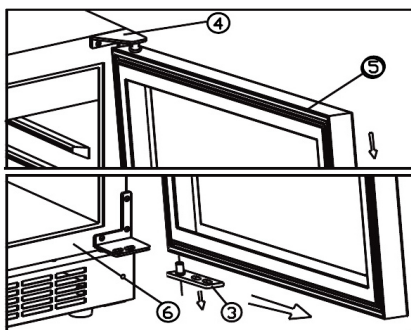


fig. 8.2

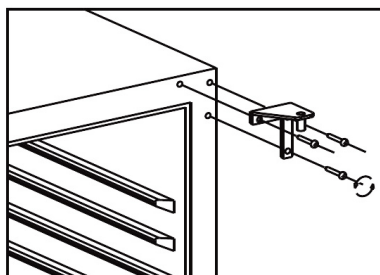


fig. 8.3

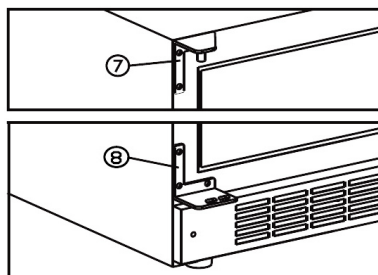


fig. 8.4

- 1) Skruv 2) Nedre gångjärn, höger 3) Dörrstift 4) Övre gångjärn, höger 5) Dörr 6) Kyl
7) Övre gångjärn, vänster 8) Nedre gångjärn, vänster

- Se till att kylan inte är ansluten till elen och lägg skåpet på rygg
- Montera loss skruvarna (1) STÖTTA UPP DÖRREN Se fig. 8.1
- Montera av dörren genom att dra den fram och av det övre gångjärnet. Se fig. 8.2
- Montera av det övre gångjärnet och spara för eventuell senare användning. Se fig. 8.3
- Montera fast de medskickade vänstra övre och nedre gångjärnen (7+8). Se fig. 8.4
- Sätt i dörrstiftet (3) i det nedre gångjärnet.
- Montera fast dörren i det övre gångjärnet (7) och på dörrstiftet (3), skruva fast stiftet (1)
- Ställ skåpet upp och vänta 1 timma innan du ansluter ström för att undvika olja i kylsystemet.

Avfrostning, rengöring och underhåll

Automatisk avfrostning

Avfrostning av enheten sker automatiskt. Tövattnet rinner genom ett rör ned till tövatenskålen som sitter ovanför kompressorn. Vattnet förångas tack vare värmen från kompressorn.

Rengöring

Slå ifrån strömmen med hjälp av till/från knappen när enheten ska rengöras invändigt.

Enheten rengörs bäst med en ljummen tvållösning (max. 65 °C). Använd inte rengöringsmedel som repar. Använd en mjuk duk. Skölj efter med rent vatten och torka ordentligt. Undvik att få in vatten i manöverpanelen.

Tövattensrännan, där kondensvattnet från kondensorn rinner ned i, sitter på bakre väggen inne i enheten. Säkerställ att den är ren. Använd ett desinfektionsmedel som t.ex. klorin utspäddet med vatten, som ska droppas i tövattenavloppet ett par gånger om året. Rensa med piprensare eller dylikt. Använd aldrig skarpa eller spetsiga föremål.

Tätninglisten runt dörren kräver regelbunden rengöring för att undvika missfärgning och för att säkerställa lång hållbarhet. Använd rent vatten. Efter rengöring av dörrens tätninglist bör du kontrollera att den fortfarande sluter tätt.

På kompressorn och i kompressorrummet avlägsnas dammet enklast med dammsugare. Genom att demontera fotpanelen möjliggör man för rengöring under enheten

Byta ljus

Produkten använder lysdioder som ska hålla hela produktens livstid. Skulle du trots allt behöva byta lamporna ska du tillkalla service.

Ta ut hyllorna

Hyllan skjuts helt ner i botten och kan tippas uppåt. Den kan sedan dras ut.

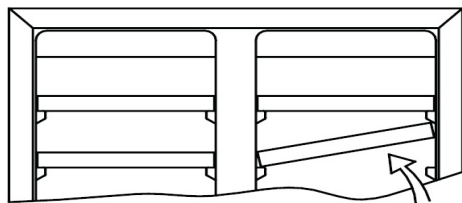


fig. 9

Fellista

Fel	Möjlig orsak	Lösning
Skåpet fungerar inte.	Skåpet är avstängt. Strömavbrott. Säkringen har gått. Kylen är inte korrekt inkopplad.	Tryck på på/av-knappen. Kontrollera att strömmen är ansluten. Säkringen ska vara påslagen.
Det samlas vatten i botten av kylan.	Avloppsröret är igentäppt.	Rensa avloppsröret och avloppshålet på bakväggen.
Vibrationer och oljud.	Skåpet står snett. Skåpet lutar mot andra element. Behållare eller flaskor rör vid varandra i skåpet.	Ställ in kylan med ett vattenpass. Flytta kylan bort från andra element eller anordningar som står i direkt anslutning till kylan. Kontrollera avståndet mellan flaskor och/eller behållare.
Kompressorn kör konstant.	Hög rumstemperatur.	Kontrollera att ventilationen är bra.

Garanti, reservdelar och service

Garantireklamation

Fel eller skada orsakad direkt eller indirekt av felaktig hantering, missbruk, otillräckligt underhåll, felaktig montering, installation eller anslutning till ström uttag. Eld, olycka, blixtnedslag, strömsvängningar eller annan elektrisk felaktighet inklusive defekta säkringar eller felaktigheter i elnätinstallationen. Reparationer utförda av verkstad som inte är auktoriserad och andra fel eller skador som tillverkaren kan påvisa är orsakade av andra orsaker än tillverkningsfel eller materialbrist täcks inte av denna garanti.

Observera att konstruktions- eller komponentförändringar eliminerar garanti och produktens tillförlitlighet samt att produkten kan ej längre anses laglig i användandet. Godkännandet på typskylt är då inte heller giltigt.

Transportskador upptäckta av köpare ska i första hand avgöras mellan köpare och leverantör, dvs. leverantören måste säkerställa att klagomål löses till köparens tillfredsställelse.

Innan teknisk assistans söks bör man kontrollera om man kan lösa problemet själv (se åtgärd av fel). Om servicehjälp inte täcks av garantin, t.ex. om produkten inte fungerar pga. t.ex. trasig säkring eller felaktig hantering kommer kostnaden för serviceassistenten att debiteras ägaren.

Reservdelar

Vid beställning av reservdelar ska modell, serie- och produkt nummer anges för produkten. Denna information kan sökas på typskylten baktill på aggregatet. Typskylten uppger blandad teknisk information inklusive modell och serienummer.

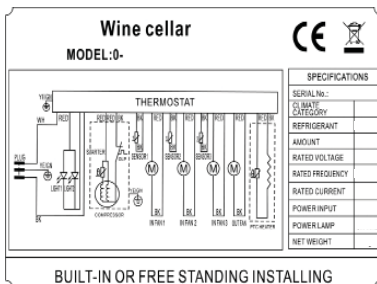


fig. 10

Bortskaffning

Information för användare om hopsamling och avfallshantering av gammalt material och använda batterier



Dessa symboler på produkter, förpackningar och/eller medföljande dokument betyder att man inte ska blanda elektriska och elektroniska produkter eller batterier med vanliga hushållssopor. För att gamla produkter och använda batterier ska hanteras och återvinnas på rätt sätt ska man ta dem till passande uppsamlingsställe i enlighet med nationella bestämmelser och direktiven 2012/19/EU och 2006/66/EC.

När du kasserar dessa produkter och batterier på rätt sätt hjälper du till att spara på värdefulla resurser och förebygga en potentiell negativ inverkan på människors hälsa och på miljön som annars skulle kunna uppstå p.g.a. otillbörlig avfallshantering.

För mer information om uppsamling och återvinning av gamla produkter och batterier, var god kontakta din kommun, din avfallshanterare eller det försäljningsställe där du köpte din artikel.

Olämplig avfallshantering kan beläggas med straff i enlighet med nationella bestämmelser.



För affärsanvändare inom den Europeiska Unionen.

Om du vill kassera elektrisk eller elektronisk utrustning, var god kontakta din återförsäljare eller leverantör för ytterligare information.

Information om avfallshantering i länder utanför den Europeiska unionen

Dessa symboler är endast giltiga inom den Europeiska Unionen. Om du vill kassera denna produkt ska du kontakta de lokala myndigheterna eller din återförsäljare, och fråga om korrekt avyttringsmetod.

Notering till batterisymbolen:



Denna symbol kan användas i kombination med en kemisk symbol. I detta fall iakttar den de krav som ställs upp i direktivet för den aktuella kemikalien.

VAROITUS

Jos laite sisältää hiilivetykylmäainetta, katso alla luetellut ohjeet.

Koska laite sisältää syttyvää kylmäainetta, on tärkeää varmistaa, että kylmäaineputket ovat ehjät.

Standardin EN378 mukaan laitteen asennustilan tilavuuden pitää olla vähintään 1m³ / 8 g laitteessa käytettyä hiilivetykylmäainetta. Tällä vältetään syttyvän kaasu/ilmaseoksen syntyminen asennustilaan kylmäainepiirin vuodon yhteydessä. Laitteessa käytetyn kylmäaineen määrä on ilmoitettu laitteen tyypikilvessä.

VAROITUS:

Pidä laitteen kotelon tai asennuskaapin tuuletusaukot puhtaina.

VAROITUS:

Älä yritä nopeuttaa sulatusta mekaanisia laitteilla tai muilla keinoilla, joita valmistaja ei ole suositellut.

VAROITUS:

Varo vaurioittamasta kylmäainepiiriä.

VAROITUS:

Älä käytä laitteen kylmätilassa mitään sähkölaitteita, joita valmistaja ei ole suositellut.

VAROITUS:

Älä altista tätä laitetta sateelle.

VAROITUS:

Tämä tuotetta eivät saa käyttää lapset tai toimintarajoitteiset henkilöt, ellei heidän turvallisuudesta vastaava henkilö ole antanut heille ohjausta tai opastusta laitteen käytöstä. Varmista, etteivät lapset leiki laitteella.

VAROITUS:

Tätä laitetta voivat käyttää 8-vuotiaat lapset ja henkilöt, joiden fyysiset, aisteihin liittyvät tai henkiset kyvyt ovat rajoittuneet tai joilla ei ole riittävästi kokemusta tai tietoa laitteen käytöstä, mikäli he ovat turvallisuudesta vastaavan henkilön valvonnassa tai heidät on perehdytetty laitteen turvalliseen käyttöön ja he ovat ymmärtäneet laitteen käyttöön liittyvät vaarat ja riskit.

VAROITUS:

Älä anna lasten leikkiä laitteella.

VAROITUS:

Lapset saavat puhdistaa ja huolttaa laitetta vain, jos he ovat yli 8-vuotiaita ja toimivat aikuisen valvonnassa.

VAROITUS:

Sisällä tämä laite et saa säilytä räjähtäviä aineita kuten aerosolipurkkien kanssa syttyvää polttoainetta käyttävät.

**VAROITUS:**

Tulipalo- ja räjähdysvaaran. Syttyvää kylmäainetta. Korjata vain koulutettu henkilöstö.

VAROITUS:

Kun asetat laitteen paikoilleen, varmista, ettei virtajohto ole juuttunut kiinni tai vahingoittunut.

VAROITUS:

Älä aseta laitteen taakse kytkentärasioita, jatkojohtoja tai muita virtalähteitä.

- Pidä avaimet erillään laitteesta ja poissa lasten ulottuvilta.
- Ennen kuin huollat tai puhdistat laitteen, irrota laite pistorasiasta tai katkaise virransyöttö.
- Vaurioituneen virtajohdon saa vaihtaa vain valmistaja, valtuutettu huoltoliike tai vastaavan pätevyyden omaava henkilö.
- Huurteen muodostuminen sisäpuolen höyrystinseinän pinnalle ja yläosiin on täysin normaalia. Näin ollen laite tulisi sulattaa normaalin puhdistuksen tai huollon aikana.
- Huomaa, että laitteen rakenteeseen tehdyt muutokset aiheuttavat kaikkien takuiden ja tuotevastuiden raukeamisen.
- Laite on tarkoitettu säilytykseen viiniä.

CLASS 1 LED PRODUCT

Sisältö

VAROITUS	2
Tekniset tiedot.....	4
Viinikaapin esittely	5
Ennen käyttöönottoa.....	6
Energiansäästövälineet	6
Käyttöönotto ja asennus	7
LED-valaistus	7
Käyttö ja ohjaus W32 ja W45	9
Käyttö ja ohjaus W38	10
Oven kätisyyden muuttaminen W32.....	11
Oven kätisyyden muuttaminen W45.....	12
Sulatus, puhdistus ja kunnossapito	13
Vianmääritys.....	14
Takuu, varaosat ja huolto.....	15
Laitteen hävittäminen	16

Tekniset tiedot

Laitte täyttää sovellettavien EU-direktiivien vaatimukset ml pienjännitedirektiivi 2006/95/ETY ja EMC-direktiivi 2004/108/ETY.

Tyypikilvessä on kerrottu erilaisia teknisiä tietoja sekä tyyppi ja valmistenumero.

Pistorasiaan tulee päästä hyvin käsiksi.

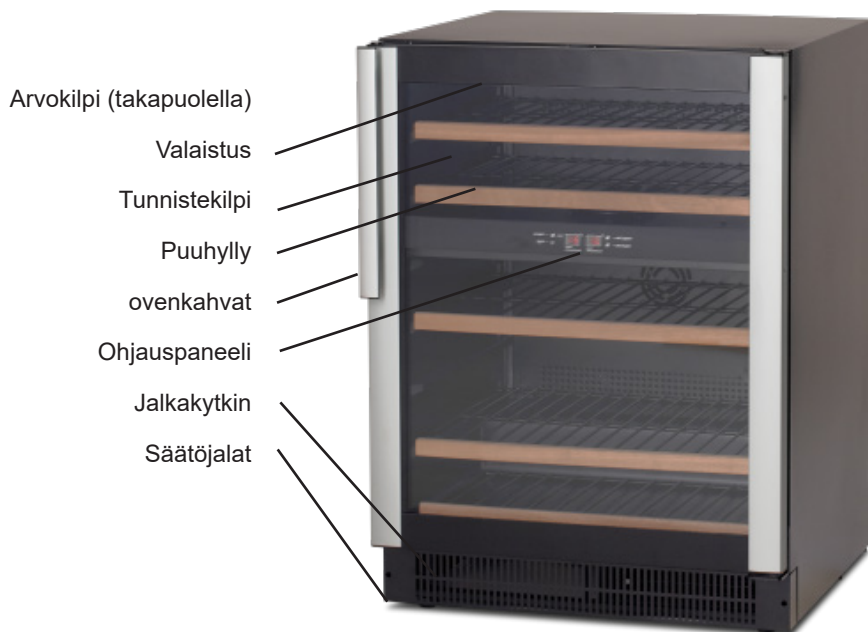
Liitä laite 220/240 V / 50Hz via en vaihtovirtaan ainoastaan määräysten mukaisesti asennetun pistorasian kautta. Pistorasia tulee suojata 10 A Tai suurempi

Laitteissa, joita käytetään Euroopan ulkopuolisissa maissa, on tarkistettava tyyppikilvestä, onko sähköverkon liitäntäjännite ja virtalaji sama kuin laitteessa. Tyypikilpi on sijoitettu kylmälaitteen vasempaan alalaitaan.

Jännite ja teho / energia on ilmoitettu tyyppikilvessä

Jos verkkoliitäntäjohto on vaihdettava, sen saa tehdä vain valtuutettu sähköasentaja.

Viinikaapin esittely



kuva.1

Ennen käyttöönottoa

Tarkista, että kaappi ei ole vaurioitunut kuljetuksen aikana. Kuljetusvaurioista voidaan ilmoittaa jälleenmyyjälle, jos kaappia ei ole otettu käyttöön.

Poista pakkausmateriaalit. Puhdista kaapin sisäosat haalealla pesuainevedellä. Pyyhi pinnat puhtaalla vedellä kostutetulla liinalla ja kuivaa huolellisesti (katso kohta puhdistus). Käytä pehmeää liinaa.

Jos kaappi on ollut kyljellään kuljetuksen aikana tai sitä on säilytetty kylmässä (alle +5 °C:ssa), anna laitteen seistä vähintään tunnin ajan ennen käyttöönottoa.

Energiansäästövinikit

Energiankulutusta voi alentaa:

- 1) alentamalla huonelämpötilaa
- 2) nostamalla termostaatin asetusta.
- 3) välttämällä oven avaamista ja pitämistä avattuna pitkiä aikoja.

Käyttöönotto ja asennus

Laitteen sijoittaminen

Turvallisuus- ja käyttöteknisistä syistä laitetta ei saa sijoittaa ulkotiloihin.

Sijoita kaappi tasaiselle alustalle kuivaan ja hyvin ilmastoituun tilaan (maks. 75 % suhteellinen ilmankosteus). Älä sijoita laitetta lämmönlähteiden, kuten liedien tai lämpöpatterin läheisyyteen äläkä altista sitä suoralle auringonvalolle tai muille lämmönlähteille.

Huonelämpötila

Ilmastoluokka on ilmoitettu arvokilvessä (katso sivu 15).

Huomaa: Kaappi toimii parhaiten huonelämpötilassa +10...+32 °C.

LED-valaistus

Energiankulutuksen alentamiseksi kaappi sammuttaa LED-valot automaattisesti 10 minuutin kuluttua.

LED-valot on mahdollista pitää jatkuvasti päällä.

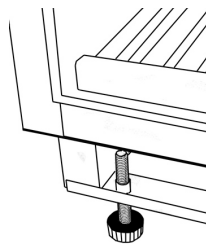
Pidä "LIGHT"-painiketta painettuna 5 sekuntia, jolloin näytölle tulee teksti "LP". 4 sekunnin kuluttua näyttö palaa normaaliksi ja valo palaa, kunnes se sammutetaan manuaalisesti.

Jos haluat palata säästötilaan, paina "LIGHT"-painiketta 5 sekuntia. Näytöllä näkyy tekstit "LP". 4 sekunnin kuluttua näyttö palaa normaaliksi ja valo sammuu automaattisesti 10 minuutin kuluttua.

Asennus

Kaapin alustan tulee olla tasainen. Älä käytä kehyksiä tai vastaavia.

On tärkeää asettaa kaappi täysin suoraan. Kaapin asentoa voidaan säätää kiertämällä etuosan säätöjalkoja ylös tai alas (katso kuva 2). Varmista vesivaa'an avulla, että kaappi on suorassa.



6-2

Kuva 2

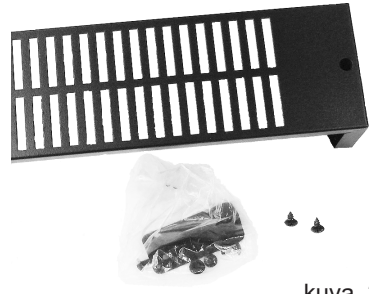
Kalusteasennus

W32-mallit voidaan asentaa vain vapaasti seisovaksi ja tulee varmistaa, että kaapin ympärillä on riittävästi ilmaa (kuva 4).

W45 ja W38-mallit voidaan asentaa kalusteisiin tai vapaasti seisovaksi (kuva 3). Kalusteasennuksessa varmista, että sokkelissa on riittävä ilma-aukko laitteen etupuolella. Ilma-aukon koon tulee olla vähintään 5 mm.

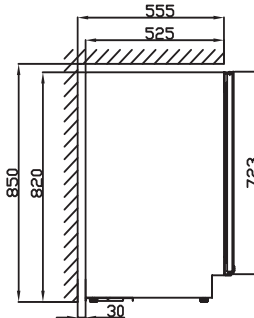
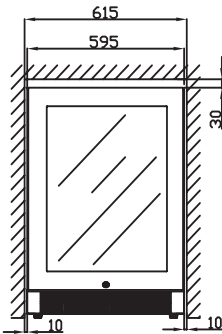
Toimitukseen sisältyvä jalkakytkin voidaan asentaa kahdella ruuvilla, jotka ovat muovipussissa.

HUOM.: Jalkakytkintä ei asenneta, jos laite asennetaan keittiösokkelin taakse.

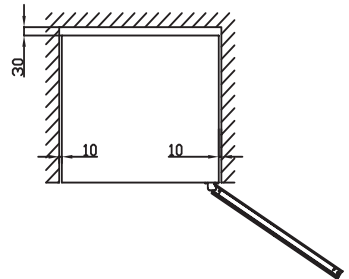


kuva. 2.1

Kaappi voidaan haluttaessa kiinnittää työtaisiin kuvan 2.1 kiinnikkeillä.

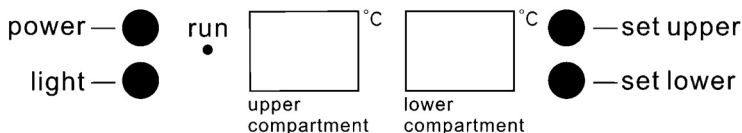


kuva. 3



kuva. 4

Käyttö ja ohjaus W32 ja W45



kuva. 5

Elektroninen ohjaus

Elektroninen ohjaus huolehtii eri kaapin osiin asetettujen lämpötilojen ylläpitämisestä. Tämä tapahtuu edistyneen jäähdytys-, lämmitys- ja ilmanvaihtojärjestelmän avulla.

Mahdollisen sähkökatkon jälkeen lämpötila palautetaan tehdasasetukseen, joka on:

Ylin: 6°C

Alin: 12°C

Elektronisella ohjauksella on seuraavat toiminnot:

- Lämpötilan säätö
- Lämpötilan näyttö
- Automaattinen sulatus
- Korkean ja matalan lämpötilan hälytys
- Valon sytytys/sammutus
- Yksikön sytytys/sammutus (pidä painetuna 3 s)

Lämpötilan näyttö

Näyttö osoittaa kaapin nykyisen lämpötilan. Lämpötilan näytössä on sisäinen suodatin, joka simuloi pullojen nykyistä lämpötilaa. Siksi näyttö ei reagoi lämpötilan lyhytkestoihin muutoksiin.

Lämpötilan säätö

Osastojen lämpötila asetetaan kahdella elektronisen ohjauksen asetuspainikkeella. Painikkeen painallus näyttää asetetun lämpötilan nykyisen lämpötilan sijasta.

Painikkeen toistuva painaminen näyttää lämpötila-asetusten intervallit.

Ylemmän osaston lämpötilaa voidaan säätää välillä +5...+10 °C.

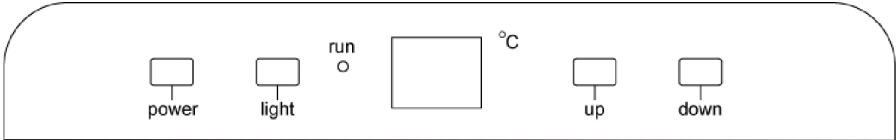
Alemman osaston lämpötilaa voidaan säätää välillä +10...+18 °C.

Lämpötilahälytys

Jos lämpötila poikkeaa 3 °C asetetusta arvosta väh. 1 tunnin ajan, näytöllä vilkkuvat vuorotellen Lo/nykyinen lämpötila ja Hi/nykyinen lämpötila.

Viinit suositellaan tarjoiltaviksi muutamaa astetta haluttua juomalämpötilaa viileämpinä, sillä lasiin kaadettu viini lämpenee nopeasti.

Käyttö ja ohjaus W38



kuva. 6

Elektroninen ohjaus

Elektroninen ohjaus huolehtii eri kaapin osiin asetettujen lämpötilojen ylläpitämisestä. Tämä tapahtuu edistyneen jäähdytys-, lämmitys- ja ilmanvaihtojärjestelmän avulla.

Mahdollisen sähkökatkon jälkeen lämpötila palautetaan tehdasasetukseen, joka on:

Vasen osasto 7 °C

Oikea osasto 12 °C

Elektronisella ohjauksella on seuraavat toiminnot:

- Lämpötilan säätö
- Lämpötilan näyttö
- Automaattinen sulatus
- Korkean ja matalan lämpötilan hälytys
- Valon sytytys/sammutus
- Yksikön sytytys/sammutus (pidä painetuna 3 s)

Lämpötilan näyttö

Näyttö osoittaa kaapin sen hetkisen lämpötilan. Lämpötilan näytössä on sisäinen suodatin, joka simuloi pullojen nykyistä lämpötilaa. Siksi näyttö ei reagoi lämpötilan lyhytkestoisiin muutoksiin.

Lämpötilan säätö

Osastojen lämpötila asetetaan kahdella elektronisen ohjauksen asetuspainikkeella. Painikkeen painallus näyttää asetetun lämpötilan nykyisen lämpötilan sijasta. Laitteen lämpötila-asetusta voidaan nyt muuttaa:

Up = lämpimämpi, Down = viileämpi.

Molempien osastojen lämpötilaa voidaan säätää välillä 5...+18 °C.

Uusi lämpötila-asetus tallennetaan automaattisesti 5 sekunnin kuluttua ja näyttö siirtyy takaisin nykyisen lämpötilan näyttöön.

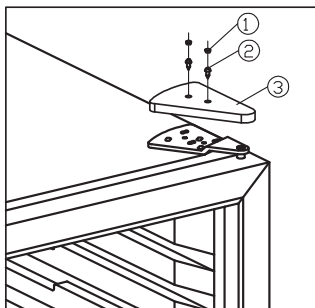
Lämpötilahälytys

Jos lämpötila poikkeaa 3 °C asetetusta arvosta väh. 1 tunnin ajan, näytöllä vilkkuvat vuorotellen Lo/nykyinen lämpötila ja Hi/nykyinen lämpötila.

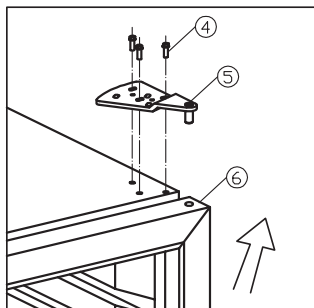
Viinit suositellaan tarjoiltaviksi muutamaa astetta haluttua juomalämpötilaa viileämpinä, sillä lasiin kaadettu viini lämpenee nopeasti.

Oven kätisyyden muuttaminen W32

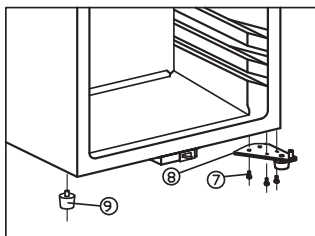
Ovi voidaan asentaa oikeakätisestä vasenkätiseksi tai päinvastoin seuraavasti:



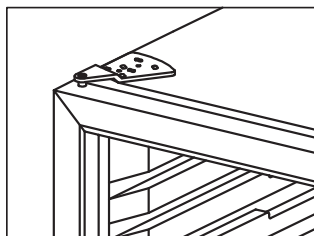
kuva 7.1



kuva 7.2



kuva 7.3



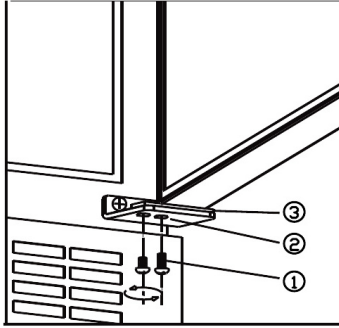
kuva 7.4

1) Kumitulppa 2) Ruuvi 3) Saranan peitelevy 4+7) Ruuvit 5) Yläsarana 6) Ovi
7) Ruuvi 8) Kaapin jalka

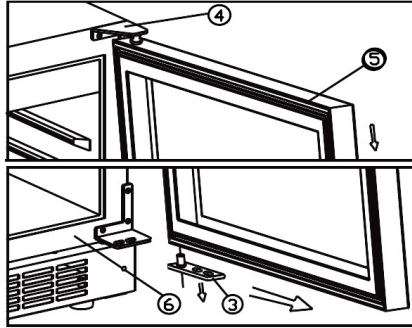
- Poista kumitulpat ja saranan peitelevyt. Katso kuva 7.1
- Vapauta ja irrota yläsarana ovea tukien ja nosta ovi pois paikoiltaan. Katso kuva 7.2
- Irrota alasarana (8)
- Irrota korkea kaapinjalka (9) vasemmalta puolelta ja asenna se vastakkaiselle puolelle. Katso kuva 7.3
- Asenna alasarana paikoilleen ruuveilla.
- Asenna ovi alasaranaan (8) vastaavalla tavalla kuin se irrotettiin ja asenna yläsarana paikoilleen. Katso kuva 7.4
- Kiinnitä saranan peitelevy ja tulpat.

Oven kätisyyden muuttaminen W45

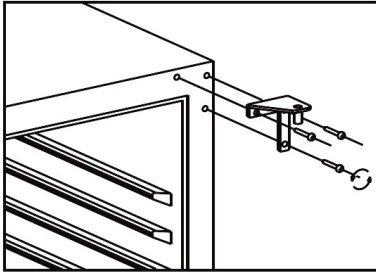
Ovi voidaan asentaa oikeakätisestä vasenkätiseksi tai päinvastoin seuraavasti:



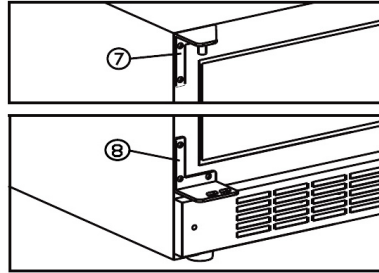
kuva 8.1



kuva 8.2



kuva 8.3



kuva 8.4

1) Ruuvit 2) Alasarana, oikea 3) Ovitappi 4) Yläsarana, oikea 5) Ovi 6) Kaappi
7) Yläsarana, vasen 8) Alasarana, vasen

- Varmista, että laite on irrotettu verkkovirrasta ja aseta se selälleen.
- Irrota ruuvit (1) TUE OVEA! Katso kuva 8.1
- Irrota ovi vetämällä ovea eteenpäin ja irti yläsaranaasta. Katso kuva 8.2
- Irrota oikea yläsarana ja säästä se myöhempää tarvetta varten. Katso kuva 8.3
- Asenna vasemmanpuoliset ylä- ja alasaranat (7 + 8). Katso kuva 8.4
- Aseta aiemmin irrotettu ovitappi (3) alasaranaan.
- Asenna ovi yläsaranaan (7) ja kiinnitä se ovitappiin (3), ruuvaa ovitappi kiinni (1).
- Nosta kaappi pystyasentoon ja odota 1 tunti ennen sen liittämistä verkkovirtaan jäähdytysjärjestelmän tasaamiseksi.

Sulatus, puhdistus ja kunnossapito

Kaapin automaattinen sulatus

Kaapin sulatus tapahtuu automaattisesti, vesi valuu putken läpi kompressorin yläpuolisen kaksivesisäiliön päälle. Vesi haihtuu kompressorin lämmön ansiosta. Kaksivesisäiliö tulee puhdistaa säännöllisesti.

Puhdistus

Irrota laite verkkovirrasta ja poista irralliset osat ennen puhdistusta.

Suosittelemme, että säiliö puhdistetaan lämpimällä vedellä (enint. 65 °C) ja pienellä määrällä mietoa ja hajutonta puhdistusainetta. Älä koskaan käytä hankaavia puhdistusaineita. Käytä pehmeää liinaa. Huuhtele puhtaalla vedellä ja kuivaa huolellisesti. Huolehdi, että ohjauspaneeliin ei pääse vettä.

Kantta ympäröivä tiivistenauha on puhdistettava säännöllisesti. Näin ehkäistään värimuunnokset ja pidennetään käyttöikää. Käytä puhdasta vettä. Kun olet puhdistanut tiivistenauhan, tarkista, että sillä on edelleen hyvät tiiviysominaisuudet.

Illanvaihtoritilä on pidettävä puhtaana pölystä ja liasta. Puhdista ritilä pölynimurilla.

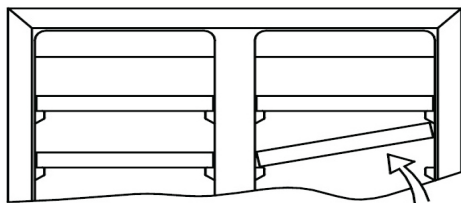
Jos laitetta ei käytetä pitkään aikaan, katkaise laitteesta virta, irrota virtajohto pistorasiasta, tyhjennä pakastin, puhdista säiliö ja jätä kansi auki ilmanvaihtoa varten ja hajuunmuodostuksen ehkäisemiseksi.

Valaisimen vaihto

Laitteessa käytetään valodiodeja, jotka on mitoitettu kestäämään koko tuotteen käyttöiän. Jos valaisimen vaihto on kuitenkin tarpeen, ota yhteyttä huoltoon.

Hyllyjen poisto

Työnnä hylly pohjaan saakka ja nosta se vinoon. Hyllyt voidaan nyt vetää ulos.



kuva. 9

Vianmääritys

Vika	Mahdollinen syy	Ratkaisu
Kaappi ei toimi.	Kaappi on pois päältä. Sähkökatko; sulake on pois päältä; virtajohtoa ei ole kytketty asianmukaisesti.	Paina virtapainiketta. Tarkista virtaliitäntä. Sulakkeen on oltava päällä.
Kaapin pohjalle valuu vettä.	Kaksivesiputki on tukkeutunut.	Puhdista kaksivesiputki ja takas-einämän poistoaukko.
Tärinä tai häiritsevä melu.	Kaappi seisoo vinossa. Kaappi on kiinni muissa kalusteissa. Säiliöt tai pullot osuvat toisiinsa kaapissa.	Säädä kaapin asento vesivaa'an avulla. Siirrä kaappi irti siinä kiinni olevista keittiökalusteista tai -laitteista. Huolehdi riittävästä etäisyydestä pullojen ja/tai säiliöiden välillä.
Kompressorin käy jatkuvasti	Korkea huonelämpötila	Huolehdi hyvästä ilmanvaihdosta

Takuu, varaosat ja huolto

Vastuuvapauslauseke

Virheellisestä käytöstä, väärinkäytöstä, ylläpidon laiminlyönnistä, virheellisestä kokoamisesta, asennuksesta tai verkkovirtaliitännästä aiheutuneet viat ja vahingot. Tulipalo, onnettomuus, salamanisku, jännitteenvaihtelut tai muu sähköinen häiriö, mukaan lukien vialliset sulakkeet ja viat sähköverkkoasennuksissa. Takuu ei kata muun kuin Upon hyväksymän huoltopalvelun suorittamia korjauksia. Takuu ei myöskään kata mahdollisia muita vikoja ja vahinkoja, jotka valmistaja voi todistaa aiheutuneen muusta syystä kuin valmistus- tai materiaaliavirheistä.

Huomaa, että laitteen rakenteeseen tai sen osiin tehdyt muutokset mitätöivät Upon takuun ja tuotevastuun, eikä laite täytä tällöin lainsäädännön vaatimuksia. Lisäksi Upon arvokilvessä ilmoitettu hyväksyntä mitätöityy.

Ostajan toteamat kuljetusvauriot sovitaan ensisijaisesti ostajan ja jälleenmyyjän välillä, ts. jälleenmyyjän on varmistettava, että kyseiset tilanteet ratkaistaan ostajan edun mukaisesti.

Ennen kuin otat yhteyttä tekniseen tukeen, varmista, että et pysty ratkaisemaan ongelmaa itse (katso Vianetsintä). Jos takuu ei kata tuotetukea, esim. jos laitteessa olevan vian on aiheuttanut lauennut sulake tai virheellinen käyttö, sinulta veloitetaan teknisen tuen käytöstä aiheutuneet kulut.

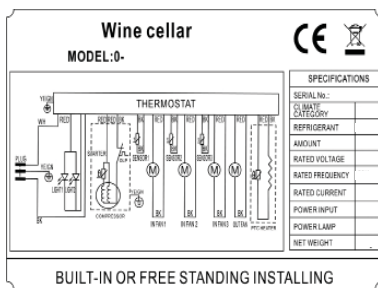
Varaosat

Kun tilaat varaosia, ilmoita laitteen tyyppi- Tuotenumero ja sarja- ja valmistusnumero. Tiedot on ilmoitettu laitteen takaosassa olevassa arvokilvessä. Arvokilpi sisältää erilaisia teknisiä tietoja, kuten laitteen tyyppin ja sarjanumerot.

Huom.: Käytä aina valtuutettua huoltopalvelua, kun laite on korjattava tai vaihdettava!

Huolto

Upolla on paikallisia huoltopalveluja Upon-tuotteisiin erikoistuneissa toimipisteissä. Niistä saat selville korjausten hinnat ja huoltopalvelut. Paikallisen huoltopalvelusi löydät osoitteesta www.upo.fi tai ottamalla yhteyttä jälleenmyyjään.



kuva. 9

Laitteen hävittäminen

Tietoja vanhojen laitteiden ja käytettyjen paristojen keräyksestä ja hävittämisestä



Nämä merkinnät tuotteissa, pakka-uksissa ja/tai niihin liitetyissä dokumenteissa tarkoittavat, että käytettyjä sähköja elektroniikkalaitteita sekä paristoja ei tule sekoittaa tavalliseen kotitalousjätteeseen.

Vanhojen tuotteiden ja käytettyjen paristojen asianmukainen käsittely, talteen ottaminen ja kierrätys edellyttävät niiden viemistä tarjolla oleviin keräyspisteisiin kansallisten määräysten sekä direktiivien 2012/19/EU ja 2006/66/EC mukaisesti.

Kun hävität tuotteet ja paristot asianmukaisesti, autat säilyttämään arvokkaita luonnonvaroja sekä ehkäisemään ihmisen terveydelle ja ympäristölle haitallisia vaikutuksia, joita vääränlainen jätteenkäsittely voi aiheuttaa. Ota yhteys asuinkuntasi viranomaisiin, jätteenkäsittelystä vastaavaan tahoon tai tuotteiden ostopaikkaan saadaksesi lisätietoja vanhojen tuotteiden ja paristojen keräyksestä ja kierrätyksestä.

Tuotteiden epäasianmukaisesta hävittämisestä saattaa seurata kansallisessa lainsäädännössä määrätty rangaistus.



Yrityksille Euroopan unionissa

Lisätietoja sähkö- ja elektroniikkalaitteiden hävittämisestä saat jälleenmyyjältä tai tavarantoimittajalta

[Tietoja hävittämisestä Euroopan unionin ulkopuolella]

Nämä merkinnät ovat voimassa ainostaan Euroopan unionin alueella. Jos haluat hävittää tämän tuotteen, tiedustele oikeaa hävitystapaa paikallisilta viranomaisilta tai jälleenmyyjältä.

Paristomerkintää koskeva huomautus (alla kaksi esimerkkiä merkinnöistä):



Tämä merkki voi olla käytössä yhdessä kemiallisen merkinnän kanssa. Siinä tapauksessa merkki noudattaa kyseistä kemikaalia koskevan direktiivin vaatimuksia.

- GB Reserving the right to alter specifications without prior notice.
- DE Recht auf Änderungen vorbehalten.
- FR Nous nous réservons le droit d'apporter toutes modifications à nos produits.
- DK Ret til ændringer forbeholdes.
- NO Rett til endringer forbeholdes.
- SE Rätt till ändringar förbehålls.
- FI Varaa oikeuden teknisten tietojen muuttamiseen ilman ennakoilmoitusta.